



# Islamabad POST

Monday, June 07, 2021

Pakistan's First And Only Diplomatic Daily

Price Rs. 20

**EU continues to help Pakistan to improve governance: Kaminara**

Detailed News On Page-08

**Ties between Pak, Sweden growing: envoy**

Detailed News On Page-01



**Palestine an issue of the Muslim world**

Detailed News On Page-08



## Briefs

### PM Imran thanks President Xi

DNA

ISLAMABAD: Prime Minister Imran Khan on Sunday thanked China's President Xi Jinping over his strong message on World Environment Day hosted by Pakistan in collaboration with the UNEP. Taking to Twitter, the prime minister said that he thanks President Xi's strong message on World Environment Day 2021, reflecting their commitment to counter environment degradation. "We laud President Xi's leadership in combating climate change and biodiversity loss and his offer to step up cooperation," Twitted PM.

### NATO chief warns Russia, Belarus

NEWS DESK

BRUSSELS: NATO's head has warned Russia and Belarus against threatening the alliance's allies, following the forced landing of a passenger plane within the EU by Belarusian authorities, in comments published on Sunday. "We are of course ready, in an emergency, to protect and defend any ally against any kind of threat coming from Minsk and Moscow," NATO Secretary-General Jens Stoltenberg told the Welt am Sonntag newspaper. "We are vigilant and we are following what is happening in Belarus very closely," he said. Belarus is becoming "more and more dependent" on Russia, he added.

### Shehbaz Sharif blasts govt

ABID RAZA

LAHORE: Pakistan Muslim League-Nawaz (PML-N) President Shehbaz Sharif hit hard at the PTI govt for fidgeting with the revenue collection figures when the Accountant General of Pakistan Revenues found anomaly in these statistics, thus exposing the economically-averse PTI govt. The PML-N leader in a statement issued in Lahore on Sunday severely criticized the PTI govt for showing wrong figures under the head of the revenue collection by the FBR.

## Eleven killed as roadside bomb hits Afghan bus

No group has claimed responsibility for the blast but Badghis governor Hessemuddin Shams accused the Taliban of planting the bomb

AGENCIES

HERAT (AFGHANISTAN): At least 11 civilians including four women and three children were killed when a roadside bomb struck a bus in Afghanistan, officials said Sunday, as top US negotiator Zalmay Khalilzad visited Kabul. The latest attack targeting passenger vehicles occurred on Saturday evening in the western province of Badghis, raising fears of fresh violence in the months ahead as the US military continues to pull out its last remaining troops from the country. No group has claimed responsibility for the blast but Badghis governor Hessemuddin Shams accused the Taliban of planting the bomb. Another official from the province, Khodadad Tayeb, confirmed the toll and said that the bus fell into a valley after it was hit by the bomb.

### Taliban captures 4 more districts

NEWS DESK

KABUL: Afghan Taliban fighters have captured four more districts from government forces in the past 24 hours amid an escalation in fighting across the country. It comes after the US began withdrawing its remaining troops from the war-torn state more than a month ago, officials. The Do Aab district in eastern Nuristan, one of the 34 provinces of Afghanistan, was seized by the Taliban overnight, while Shinkai in southern Zabul, Deh Yak in adjacent Ghazni and Gizab in neighboring Daikundi

Continued on Page 06

## Govt can't use IMF as ruse, says Bilawal

NAZIR SIYAL

KARACHI: Pakistan Peoples Party (PPP) chairman Bilawal Bhutto Zardari on Sunday has said that Pakistan Tehreek-e-Insaf (PTI) is trying to hide its incompetency by putting blame of inflation on International Monetary Fund (IMF). In a statement released in Karachi on Sunday, the PPP chief said that the federal government has put the respect of the Pakistanis at stake by signing agreement with IMF. The mafias have raised the prices of chicken by 110 percent in three months, he added.

Continued on Page 06

### Sheikh Rashid dubs Opposition as 'useless'

ZUBAIR AHMAD

ISLAMABAD: Interior Minister Sheikh Rashid Ahmad on Sunday dubbed the Opposition as "incompetent, fatigued and useless", saying the Imran Khan government is now not facing any opposition. Talking to the media men in Islamabad, Sheikh Rashid declared he had never seen such an "incompetent, useless and weak opposition" in history of the country. "I don't see any opposition to Imran Khan." The minister further said the budget would be presented on 11 and he was expecting an increase in the wages of labourers and pensions. The minister maintained that "all members of the estranged Jahangir Tareen group of PTI will vote in favour of Imran Khan's budget." Replying to a question, Sheikh Rashid said his ministry had put Opposition Leader in the NA Shehbaz Sharif's name on the ECL and the 15-day deadline to appeal against the decision had passed.



KARACHI: Ambassador of Saudi Arabia Nawaf Saeed Al Maliki visiting an eye camp facility sponsored by King Suleman Foundation, during his recent visit to Karachi. - DNA



ISLAMABAD: Chairman Senate Sadiq Sanjrani and Senator Talah Mahmood presenting bouquet to the Speaker of Azerbaijan Assembly. Ambassador of Azerbaijan also present. - DNA

### Sikhs to continue struggle for Khalistan

DNA

NEW DELHI: Sikhs in India and across the world has observed the 37th anniversary of the Operation Blue Star with renewed pledge that they would continue their struggle for Khalistan, through thick and thin. Pro-Khalistan banners and posters were displayed in Punjab and elsewhere in India in favour of the separate homeland for the Sikhs and against the massacre of the Sikh holiest place Golden Temple by Indian Army in Amritsar on this day in 1984. A call for a march towards the Akal Takht was given by Sikh organisations, today. Amid high security at the Akal Takht complex, pro-Khalistani group Dal Khalsa held a march towards the shrine to mark 6th June as 'Khalistan Day'. Actor-turned-singer Deep Sidhu, had also given the call on his Facebook page to reach Akal Takht.

## Sanjrani for enhanced Pak-Azerbaijan ties

MAHNOOR ANSAR

ISLAMABAD: Chairman Senate Muhammad Sadiq Sanjrani has called for closer Pakistan-Azerbaijan cooperation for the development of political and economic relations between the two countries. Exchanges of a high-level delegation, trade ties, and people-to-people contact will bring the two fraternal countries more closer, he stated while talking to the Speaker of Milli Majlis of the Republic of Azerbaijan, Sahiba Gafarova, who called on him here at Parliament House. During the meeting, matters of mutual interest, regional security situation, and bilateral relations were discussed

**"Azerbaijan attaches immense importance to its relationship with Pakistan: Sahiba Gafarova"**

in detail. Pakistan-Azerbaijan relations are based on mutual trust, confidence, common historical, cultural, and religious similarities, said Sadiq Sanjrani. "Pakistan cherishes its cordial relation with Azerbaijan. There is a dire need to further enhance parliamentary and institutional cooperation", he added. The Chairman Senate thanked the visiting delegation for participating in the 2nd General Conference of the Parliamentary Assembly of the Economic cooperation organization (PAECO). High-level parliamentary contacts and exchange of delegations should continue, he stressed. Talking to the visiting dignitary, the Chairman underscored that the Pakistan-Azerbaijan Parliamentary Friendship Group can be a forum to further cement bilateral ties. "There is an urgent need to make the Parliamentary Friendship Group more active and viable forum", he said.

Continued on Page 06

## Pak, Sweden ties from cordial to excellent

Ambassador Dr. Zahor greets Sweden on national day



DNA

STOCKHOLM: Ambassador of Pakistan to Sweden Dr Zahor Ahmed has congratulated Sweden on its National Day. In his video message Ambassador Zahor said this is the day when we celebrate the Swedish national flag, which has become a symbol of peace, peaceful co-existence and conflict reduction.

He added, these are values which we also share back in Pakistan. We believe in developing our economy on the basis of sustainable technologies and greening OF our economy. Pakistan, he said wants cordial relations with all the countries. Ambassador Zahor said there are 35 Swedish companies which have established offices in Pakistan and contributing to various sectors. We have more than 22,000 people of Pakistani origin living in Sweden. Pakistan strongly believes in human rights and democratic traditions. These are the common values that bring both Pakistan and Sweden together.

Continued on Page 06

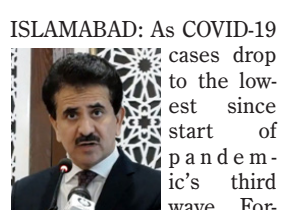
## UNGA session against corruption ends

NEW YORK: The first-ever United Nations General Assembly (UNGA) special session against corruption has concluded after having adopted a sweeping Political Declaration with blueprints to help countries tackle bribery, money-laundering, abuse of power and a raft of related crimes. The landmark Political Declaration, titled "Our common commitment to effectively addressing challenges and implementing measures to prevent and combat corruption and strengthen international cooperation", was passed unanimously. - APP

## COVID-19 cases drop to lowest: FO

It was heartening to see Pakistan moving forward in its anti-COVID fight

STAFF REPORT



ISLAMABAD: As COVID-19 cases drop to the lowest since start of pandemic's third wave, Foreign Office Spokesperson Zahid Hafeez Chaudhri said Sunday that it was heartening to see Pakistan moving forward in its anti-COVID fight. The spokesperson, in a statement on Twitter, said due to effective policies and timely interventions, the COVID-19 positivity ratio in Pakistan dropped to 3.1% - lowest since current wave of the pandemic started. He said the total active cases in the country were down to 47764. "Heartening to see Pakistan Moving Forward in its fight against the pandemic," the spokesperson remarked.

## Inside...

- Punjab govt amnesty scheme a major benefit for traders - Page 02
- President orders AIOU to address grievance of student - Page 03
- CDA launches developmental works in Islamabad - Page 04
- Daesh is defeated, but their 'brides' are still an issue - Page 05
- Pakistani school's cultural event attracts intl audience - Page 06
- Dushanbe, Tashkent vow to boost trade cooperation - Page 07
- UK-Pakistan Business Council Holds Grand Awards Distribution Ceremony - Page 08

## Chinese trying to sell 'obsolete' DVB tech to Pakistan

According to the studies on the DVB-T, India, Afghanistan and IIOJK all are on DVB-T technology and if PTV adopts DTMB technology then Pakistan will be limiting its terrestrial beam to within the confines of Pakistani territory and will not be viewed outside Pakistan

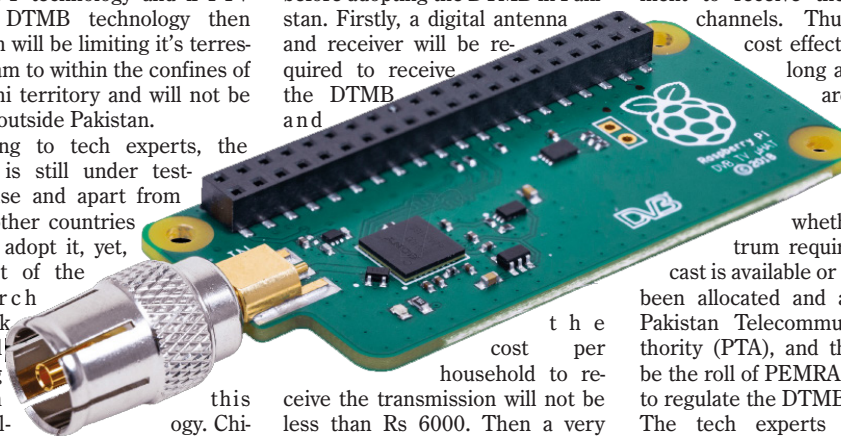
SPECIAL REPORT

ISLAMABAD: The Chinese are trying to sell to Pakistan Digital Terrestrial Multimedia Broadcast (DTMB) technology, which is almost 'obsolete' and will not benefit Pakistani official TV channel PTV, in any case. Government has some big plans for the digitalization of national broadcaster PTV for which plans are afoot, sources confided to this scribe. However, what is depressing is that Digital Terrestrial Multimedia Broadcast (DTMB) being adopted by the PTV has no popular acceptance worldwide and is less compatible when compared with the very vogue Digital Video Broadcasting Terrestrial (DVB-T). According to the studies on the

DVB-T, India, Afghanistan, and Indian Occupied Kashmir all are on DVB-T technology and if PTV adopts DTMB technology then Pakistan will be limiting its terrestrial beam to within the confines of Pakistani territory and will not be viewed outside Pakistan. According to tech experts, the DTMB is still under testing phase and apart from China other countries did not adopt it, yet, as most of the research work is still going on technology. China itself is in the process of improving this technology.

Technical experts believe that a lot of factors need to be considered before adopting the DTMB in Pakistan. Firstly, a digital antenna and receiver will be required to receive the DTMB and the DTMB will broadcast HD channels, the user should have equipment to receive the digital HD channels. Thus this is not cost effective option as long as our people are concerned. The tech experts also raised the question whether the spectrum required to broadcast is available or it has already been allocated and auctioned by Pakistan Telecommunication Authority (PTA), and that what will be the roll of PEMRA and the PTA to regulate the DTMB. The tech experts threw their weight behind the DVBT technology saying it is the most widely

used digital television standard in use around the globe for terrestrial television transmissions. It provides many facilities and enables a far more efficient use of the available radio frequency spectrum than the previous analogue transmissions. The DVB-T makes use of many modern technologies to enable it to deliver high quality video in a broadcast environment. It is capable of carrying a very significant level of data. Normally several television broadcasts may be carried on a single transmission and in addition to this several radio channels may be carried as well. As a result, each transmission is called a multiplex. With this technology one can get up to seventy free-to-air standard channels, 15 HD channels and around thirty radio services.





## Briefs

## Saplings distributed to mark World Environment Day

DNA

FAISALABAD: City District Government (CDG) distributed free of charge saplings among general public to mark World Environment Day here Saturday.

In this connection, a formal ceremony was held at main gate of Jinnah Garden where Chairman NA Standing Committee on Finance, Revenue & Economic Affairs Faiz Ullah Kamoka, Member Provincial Assembly (MPA) Chaudhary Lateef Nazir, MPA Firdous Rae, Divisional Commissioner Saqib Mannan, Director General (DG) Parks & Horticulture Authority (PHA) Asima Ejaz Cheema, Director FDA Abdullah Nisar and PTI leader Mehboob Alam Sindhu distributed saplings of various varieties.

A large of citizens thronged to Jinnah Garden and collected plantlets in order to take part in the tree plantation campaign at maximum extent. Later, the dignitaries also planted saplings in Bagh-e-Jinnah to add greenery of the garden.

## 307,608 people vaccinated in Faisalabad

FAISALABAD: As many as 307,608 people have so far been vaccinated against COVID-19 in the district. District Health Officer Dr. Ataul Mun'im said on Saturday that 223,268 citizens had been given first dose while 54,242 were administered second dose of vaccine. He further said that 17,725 health workers were also given first dose while 12,373 received second dose of vaccine.

He said that 19 vaccination centers were operational in Faisalabad where registered people were vaccinated. He said that sufficient stock of coronavirus vaccine was available in the district.

As of now, 53,370 first doses and 35,580 second doses of vaccine were in the stock in Faisalabad, he added. - APP

## FESCO issues shutdown program

DNA

FAISALABAD: Faisalabad Electric Supply Company (FESCO) issued shutdown program for Monday due to necessary repair, maintenance and expansion of electricity lines.

According to the program issued by the company here on Saturday, power supply from Ghousia Colony, Mamonkanjan City, Khuda Yar, Al-awwal, Bangla and Khawaja Habib feeders emanating from 132-KV Mamonkanjan grid station, Sheeraza, Ravi, Pir Salahud Din, TSML, Zafar Chowk, Sugar Mills, Khiddarwala, Kanjwani and Kallar Wala feeders originating from 132-KV Manjhala Bagh grid station, Pindi, Jhamra, Tandlianwala City, Tayyabah Town and Best Chipboard feeders emanating from 132-KV Tandlianwala grid station will remain suspended from 8:30 a.m. to 12:30 noon whereas Ejaz Town, Allied Hospital, City, Gulshan Colony, new Civil Line, Raja Chowk and Sadar Bazaar feeders originating from 132-KV Agri University grid station will observe shutdown from 8 a.m. to 12 noon on Monday (June 07).

Similarly, electricity supply from Ahmad Straw Board, Iqbal Rice Mills, WASA Express, Jhumra Road, Shah Burhan, City, Jani Shah, Usman Abad, Hindoana and Abdullah Fiber feeders emanating from 132-KV Chinot Industrial grid station will remain suspended from 7 a.m. to 12 noon whereas PAF, Sadhar, Data, Islam Pura, Gardana, Jinnah, Tahir Pura, Dhandra, Kausar Abad, Gulfishan, NIAB-1, NIAB-2, Sarshmeer and Sabzi Mandi feeders originating from 132-KV Jhang Road grid station will observe load shedding from 8 a.m. to 1 p.m. on June 07.

## Punjab govt amnesty scheme a major benefit for traders

President requested the officials of the PESSI to provide them a list of defaulters enabling this committee to personally contact them and convince them to pay their dues before June 30th and get rid of heavy and accumulated fines once for all

ISHFAQ MUGHAL

FAISALABAD: The amnesty scheme announced by the Punjab Employees Social Security Institution (PESSI) is a major benefit for the industrial and commercial employers and they must get benefit of it by paying only the principal amount by the end of this month.

A high level social security delegation headed by Mian Nadeem Akbar Director Faisalabad desk at PESSI office Lahore visited the Faisalabad Chamber of Commerce & Industry (FCCI) and had detailed deliberation with Engineer Hafiz Ihtasham Javed President FCCI on the issues relating to the PESSI and convince them to get benefit of this amnesty scheme at the earliest.

President FCCI appreciated the efforts of the present government to facilitate the industrial sector and said that on the demand of FCCI, the PESSI has announced this amnesty scheme. "It will pass over a huge financial benefit of Rs. 5.5 billion to the employers in the form of writing off fine on the non-payment of contribution dues by the industrialists", he added.

Engineer Hafiz Ihtasham Javed



said that industrialists are the most patriotic and responsible segment of the society. "Most of them are regularly paying contributions for the welfare of their workers but corona and other unforeseen able hurdles forced them not to pay their dues in time which continued to multiply with every passing day. He said that on our request PESSI has announced the amnesty scheme and hence our members are bound to avail it before its expiry.

President FCCI nominated Senior Vice President Chaudhry Talat Mahmood as convener of a special committee which will work round the clock and convince FCCI members to avail from this amnesty scheme by paying the principal amount to top priority basis.

President requested the officials of the PESSI to provide them a list of defaulters enabling this committee to personally contact them and convince them to pay their dues before June 30th and

get rid of heavy and accumulated fines once for all. He also directed the FCCI staff to circulate the letter received from PESSI so that they could fully understand the benefits of this amnesty scheme.

He said that the reminders from FCCI would also be issued to its members in this regard. He said that the members who failed to avail from this amnesty scheme would lose their high moral ground and the government would be justified to recover the principal amount along with hefty fines etc. whatsoever.

Chaudhry Talat Mahmood assured full cooperation to the PESSI officials and said that he will remain in touch with them so that maximum industrialists could get benefits of the amnesty scheme. The meeting was also attended by Director North Muhammad Hassan, Director Azhar Hussain Minhas, Deputy Director North Muhammad Zubair, Deputy Director Hamza Tariq Anwar and Deputy Director Ehsan-ul-Haq.

## Government initiated several welfare projects: Farrukh



FAISALABAD: State Minister for Information Farrukh Habib addressing press conference. - DNA

DNA

FAISALABAD, June 06 (DNA): State Minister for Information and Broadcasting Farrukh Habib said that PTI government is ensuring good governance in the country to bring positive change in the lives of common people.

Talking to media in Faisalabad on Sunday, the State Minister said that Government has initiated several welfare projects for de-

prived segments of the society including health card, Ehsaas Program, shelter homes and PM housing scheme. Criticizing the negative agenda of the opposition, he said that public gatherings, sit-ins and meetings staged by the opposition parties could not halt the progress made by Pakistan Tahreek-e-Insaf government. Citing the statics of Food and Agriculture Organization UN, he said that inflation was a global phenomena which had further

aggravated the situation due to coronavirus. He said that it was very difficult for the government with highly volatile economy to rein in its impacts and save people from high inflation rate. He said that edible oil and pulses were generally imported to meet domestic needs. As per the report, 124 percent increase had been recorded in edible oil, 28% in dairy items, 10% in meat, 57% in sugar while 37 percent increase had been witnessed in the cereals and pulses.

He said the PTI government fully utilized its resources and administrative skills to control the prices of food items which were produced locally. He refuted the allegations of PPP and PML-N and said that Pakistan had controlled the inflation prudently while a reasonable subsidy was given to maintain the prices of flour and sugar, etc.

Farrukh Babib said the PTI government had initiated a new project of National Food Security to enhance domestic production of edible oil, cereals and food to save people from the impact of global price hike.

He further said that petroleum prices also jumped in the international market but in Pakistan, the government maintained it static for the last two months. In this connection, petroleum levies have been trimmed and the government had to bear an additional burden of Rs 8 billion to give cheaper petroleum products to its people. He said the opposition was presenting fake data just to malign the PTI government which had successfully controlled the prices in addition to managing the affairs of the country. He said that previous government had created very hostile environment for PTI government.

## Pakistan Navy ship Saif visits Port Djibouti

ISLAMABAD: Pakistan Navy Ship SAIF visited port Djibouti during deployment on Regional Maritime Security Patrol. Upon arrival, at port of Djibouti, PN Ship was extended warm welcome and was received by officials from Djibouti Navy and Honorary Consul of Pakistan at Djibouti Mr Imran Muhammad Ilyas.

PNS SAIF is presently on deployment at North Arabian Sea & Gulf of Aden and is contributing towards international efforts to ensure maritime security in the region. During the port stay, Commanding Officer of PNS SAIF



Commanding Officer, Pakistan Navy Ship SAIF exchanging souvenir with Commander Djibouti Navy during PNS SAIF port call to Djibouti

called on President of Djibouti Parliament Mr Mohamed Ali Houmed, Commander Djibouti Navy Captain Ahmed Daher Djama, Commander Djibouti Coast Guard Colonel Wais o Bogoreh and Harbour Master Djibouti Port Mr Turki. During the interactions, matters of mutual interest were discussed and further enhancement of bilateral ties in all spheres was re-affirmed. Harbour exercises were also arranged for Djibouti Coast Guard personnel to demonstrate PN capabilities to conduct Maritime Security Operations. President of Djibouti Parliament along with ministers and parliamentarians also returned Call and visited PNS SAIF, Pakistan Navy believes in promoting stability in the region and has remained committed to maritime security and order at sea. - DNA

## SBP staff get covid vaccination

BUREAU REPORT

FAISALABAD: The entire staff of SBP (State Bank of Pakistan) Faisalabad has been vaccinated against COVID-19. On the special directive of Divisional Commissioner Faisalabad Mr. Saqib Mannan, the Health Department arranged a mobile camp in the premises of SBP Faisalabad.

During this camp, single dose of CanSino was injected to 81 staff members of SBP in addition to some of their family members.

Inaugurating the camp, Chief Manager SBP Faisalabad Mr. Sarfraz Ahmad Nadeem said that its staff was very vulnerable because of massive public dealing. In order to save them from COVID-19, a special team of Health Department visited the State Bank where the entire staff was inoculated.

The Chief Manager was the first person who was given the job of CanSino. He said that single dose is being dispensed as it will strengthen their immune system immediately without waiting for second dose.

He particularly thanked the Divisional Commissioner Mr. Saqib Mannan and Health Department for arranging this facility and said that now it is the duty of SBP employees to strictly observe SOPs and maintain social distance despite of this jab.

## Coronavirus claims 9 more lives in KP

PESHAWAR: Nine people have died of coronavirus in Khyber Pakhtunkhwa and with this the deaths toll from Corona in the province has risen to 4,144.

An official of the health department said in a daily briefing here on Sunday that the last 24 hours, 249 more people have been infected with Coronavirus in Khyber Pakhtunkhwa and the total number of corona cases in the province has reached 134,321.

However, he said, in the last 24 hours, 502 patients infected with corona have recovered in Khyber Pakhtunkhwa and the number of people recovering from Corona in the province has reached 125,859.

He said, Coronavirus claimed three more lives in Peshawar in the last 24 hours. The death toll from corona virus in Peshawar has risen to 2,041, the official said.

Corona in Peshawar affected 69 more people in 24 hours and the number of corona cases in Peshawar has reached 49,383, the official of the Health Department said.

He said 8,713 new tests were conducted in a single day in the province and so far the total tests in the province reached 1846992. - APP

## Action against arms show in public

PESHAWAR: Police in Nowshera district have arrested five accused in an operation against those displaying weapons in public here on Sunday. According to details, Azakhel Police was informed that some armed men were roaming in Shaheen Town on which SHO Azakhel along with other Police personnel raided the areas and succeeded in arresting 5 alleged accused identified as Ikram, Zaheeb, Javed, Noorwali and Nihal.

Police party also recovered a raptor and a gun and registered a case against the alleged accused and started further investigation.

**5 criminals arrested**

Five notorious criminals were arrested during search and strike operations in Nowshera district to ensure peace during anti-polio drive starting tomorrow (Monday). A series of search and strike operations are underway on the special instructions of District Police Officer Nowshera Dr Muhammad Iqbal to ensure the peaceful conduct of anti-polio drive.

During the operations, raids were carried out on the hideouts of criminal elements. After checking the criminal records of the suspects, they were released after clearing them. During the search operation, 5 criminals were arrested, 5 alleged criminals and 3 guns were recovered from their possession. - APP

# 24 گھنٹے 7 دن

## خدمات کی فراہمی رات دن

کورونا سے ڈرنا نہیں چاہیے

ایمرجنسی کی صورت میں  
ہیپ لائن 1199  
پر رابطہ کریں

کسٹمر سروس عملے کیلئے کورونا  
ایس او پیز پر مشتمل  
عملدرآمد کرائز

sngpl.com.pk  
پریس کنکشن کیلئے  
آن لائن درخواست کی وصولی

شکایات اور مسائل  
کے حل کیلئے  
دن و رات ڈیوٹی پر مشتمل

کے ذریعے شکایات  
کا اندراج اور معلومات  
کی فراہمی

/SNGPLofficial

گیس بل کی آن لائن  
بینکنگ سروس کی فراہمی  
ایمرجنسی سے وابستگی

SNGPL BILL  
ایپ سے بل وصولی،  
لائسنس اور شکایات کا اندراج

**سوئی ناردرن گیس**  
Sui Northern Gas

Media Affairs Department | مڈیا افیئرز ڈیپارٹمنٹ

Facebook Twitter Instagram /SNGPLofficial Helpline: 1199



**Briefs****President impressed with behavior of policemen**

STAFF REPORT

ISLAMABAD: President Dr. Arif Alvi Saturday sharing his personal experience of visiting Nathiagali, Abbottabad, a popular hill resort in Khyber Pakhtunkhwa, tweeted that policemen sitting in an information kiosk behaved very politely. On his twitter handle, the president said both policemen did not recognize him and handed over pamphlets containing information about tourists' spots in KPK. "This is the beauty and signs of changing Pakistan," the president posted along with a picture.

**Awards distribution ceremony held at PAC**

STAFF REPORT

RAWALPINDI: Punjab Council of the Arts and All Pakistan Media Council jointly organized an awards distribution ceremony in recognition of services rendered in the field of literature and journalism. Special guest of the function was Member Punjab Assembly Momina Waheed while eminent poet and intellectual Dr. Waheed Ahmad presided over the function. Sardar Khurram, President All Pakistan Media Council Rawalpindi welcomed the guests at the event.

Addressing the function, Member Punjab Assembly Momina Waheed said that writers and journalists are the eyes of the society as both of them cover up the social evils through their pens. He said that the writers reflect the society while living in the realm of literature. Prominent poet and writer Dr. Wahid Ahmed said that the creation of literature is done by putting the social aspect in front. He said that any genre of literature has social and social elements. At the end of the ceremony, shields were distributed among those who uncovered social evils through pens.

**PMC subsidizes MDCAT exams cost**

ISLAMABAD: Pakistan Medical Commission (PMC) on Sunday said that the cost of MDCAT examinations has been subsidized especially for Pakistani students. According to an official of PMC, the fee charges are significantly lower than what other fully enabled and automated computer-based tests cost anywhere else in the world. He said that the cost is also inclusive of online tutorials, a practice or mock examination with an option to take more automated electronic dispatch of candidate results to medical colleges for admission applications and an automated scheduling service, allowing applicants the option to schedule or reschedule the time slot for their examination according to what best suits them. - APP

**Grateful to KSA on release of prisoners**

ISLAMABAD: Pakistan grateful to Saudi government and Saudi Crown Prince Muhammad bin Salman on release of Pakistani prisoners incarcerated in Saudi Arabia in minor cases, said Special Assistant to Prime Minister and Middle East Hafiz Muhammad Tahir Mehmood Ashrafi. "There is a bond of love and brotherhood between the Crown Prince of Saudi Arabia, Muhammad bin Salman and Prime Minister Imran Khan," Chairman Pakistan Ulama Council (PUC), Ashrafi told media. Prime Minister Imran Khan has instructed categorically to resolve problems of Pakistanis on priority residing in United Arab Emirates and Kingdom of Saudi Arabia, said Ashrafi. - APP

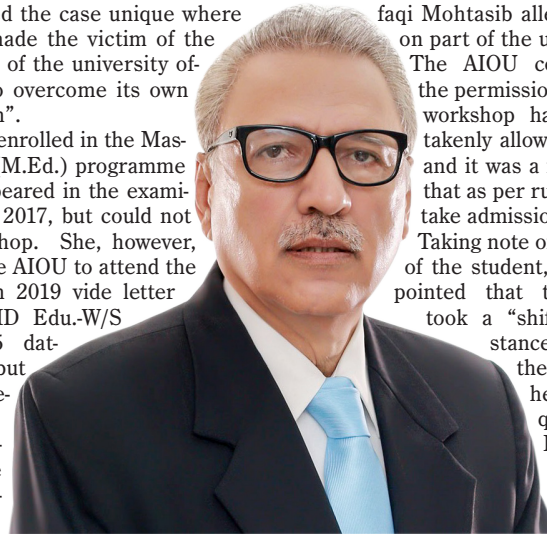
**President orders AIOU to address grievance of student**

The President also set aside the findings of the Wafaqi Mohtasib (Federal Ombudsman), which had closed the case of the complainant student by referring to a judgement of Supreme Court

ZUBAIR AHMAD

ISLAMABAD: President Dr. Arif Alvi on Sunday directed the Vice Chancellor of Allama Iqbal Open University (AIOU) to decide the 'hardship case' of a student in her favor, who was declined the M.Ed. degree due to maladministration of the university. The President also set aside the findings of the Wafaqi Mohtasib (Federal Ombudsman), which had closed the case of the complainant student by referring to a judgement of Supreme Court as saying that "the courts should not interfere with the policy matter of educational institution". The complainant Miss Asia Saeed Malik, had filed a representation with the President of Pakistan against the ruling of the Wafaqi Mohtasib. The President, also the Chancellor of the

University, termed the case unique where a "student was made the victim of the acts or omissions of the university officials in order to overcome its own maladministration". Miss Asia Saeed, enrolled in the Master of Education (M.Ed.) programme by AIOU, had appeared in the examination of autumn 2017, but could not attend the workshop. She, however, was allowed by the AIOU to attend the workshop later in 2019 vide letter no. F. M.Ed. /MD Edu.-W/S (Spr-19) MN/115 dated 21.08.2019, but ultimately was declined the degree. Feeling aggrieved, the complainant approached the Wa-



fafaqi Mohtasib alleging injustice on part of the university. The AIOU contended that the permission to attend the workshop had been "mistakenly allowed by the staff and it was a fake letter and that as per rules, she has to take admission again". Taking note of the grievance of the student, the president pointed that the university took a "shifty and shaky stance to deprive the student of her hard earned qualification." In his written order, he quoted the Section 12 of

AIOU Act, 1974, that empowered the Vice Chancellor "to relax regulations in favor of a student in a case of 'real hardship' subject to the approval of the Academic Council". In a case of hardship, he said, the Vice Chancellor of the University had the authority to "relieve the student of oppression and injustice and order the issuance of result and degree to the complainant". He said in view of the peculiar circumstances of this matter, it was a fit and proper case for the Wafaqi Mohtasib to have redressed the grievance of the complainant, who was "victim of acts and omissions on the part of the university officials". The president, therefore in response to the representation of the student, set aside the impugned closure findings of the Wafaqi Mohtasib with a direction to the Vice Chancellor AIOU to settle the matter considering it a hardship case.

**ICCI president calls for fixed tax regime**

Sardar Yasir Ilyas Khan said that high tax rates in Pakistan were a major hurdle in promoting tax culture and bringing more people into the tax net as high tax rates always encouraged tax evasion



SAIFULLAH

ISLAMABAD: Sardar Yasir Ilyas Khan, President, Islamabad Chamber of Commerce & Industry has called upon the government to introduce a fixed tax regime for traders in the upcoming budget and end the condition of CNIC for them on sale that would help in promoting documented economy and increasing the tax revenue of the country.

He said that the retail sector was making around 20 percent contribution to GDP and introducing a fixed tax regime for it would be a great initiative to broaden the tax base of the country besides making significant improvement in tax-to-GDP ratio. He said that the best option for the government to increase tax revenue is to avoid putting more tax burden on existing taxpayers and focus on broadening the tax base with low tax rates. Sardar Yasir Ilyas Khan said that

high tax rates in Pakistan were a major hurdle in promoting tax culture and bringing more people into the tax net as high tax rates always encouraged tax evasion. Therefore, the government should focus on rationalization of taxes to make them affordable for taxpayers that would be helpful in promoting tax compliance across the country. He said that tax on rental income was up to 37 percent in Pakistan due to which the business community was also facing great problems as they

have to pay high rents of shops and this factor was giving rise to inflation as well. He stressed that the government in the coming budget should make a significant cut in tax on rental income in order to reduce cost of doing business and attract more local and foreign investment in the country. Fatma Azim, Senior Vice President and Abdul Rehman Khan Vice President ICCI said that 17 percent GST in Pakistan was a major cause of high production cost

and high inflation. They said that the GST was 5% in Canada, Taiwan & UAE, 7% in Singapore, 8% in Sri Lanka, 9% in Iran and 10% in Vietnam, which showed that the people and businesses in Pakistan were paying a very high GST. They urged that the government should bring down GST to single digit level in the coming budget that would be instrumental in reducing production cost and providing a great relief to the high inflation-stricken general public.



ISLAMABAD: Ambassador of Italy Andreas Ferrarese in a meeting with Dr. Firdous Ashiq Awan. - DNA

**Car snatchers open fire on police**

ISLAMABAD: A woman among two passers-by received bullet injuries during a police encounter with alleged car snatchers in Rawalpindi. According to police, the suspects snatched a vehicle at gun point on double road in Rawalpindi. On being informed, the vehicle was signalled to stop by the police at a checkpoint but the suspects opened fire on the police party and managed to escape from the scene. The officials said that two passers-by, including a woman, were injured by the firing allegedly carried out by car snatchers. Rescue officials shifted the injured to the hospital for medical treatment. However, the police started chasing the suspects. The gangsters left the vehicle outside the Islamabad Excise and Taxation office and snatched another vehicle on gun point. The entered in a jungle after leaving the car near the forest, the police added. DIG operations said that the police have launched a search operation in the jungle to arrest the suspects. Earlier on June 4, two police officials had been martyred by unidentified armed men at IJ Principal Road in Islamabad. Sources had told media that unidentified assailants opened fire on Eagle Squad officials, leaving two cops martyred on the crime scene. The incident had taken place in front of NUTECH university while the attackers managed to flee from the scene. - DNA

**Wanted member of bike lifter gang held**

DNA

ISLAMABAD: Islamabad Ramna Police held a wanted member of a bike lifting gang and recovered three stolen motorcycles worth hundreds of thousands of rupees from him, a police spokesman said. SSP (Operations) Dr. Tanweer assigned a task to Zonal SPs to accelerate efforts against car/bike-lifters. Following his directions, SP (Saddar) Farooq Amjad Butter constituted a special team under supervision of DSP Khalid Mehmood Awan including SHO Ramna police station Akhtar Zaman and others. During the preliminary investigation, he confessed to lift these motorcycles from various areas of Islamabad and further investigation is underway from him. DIG (Operations) Afzal Ahmed Kausar and SSP (Operations) Dr. Tanweer has appreciated the performance of Police team and directed the officials to intensify efforts to curb car and motorbike lifting incidents

**ITP discards over 16,000 pressure horns**

STAFF REPORT

ISLAMABAD: Islamabad Traffic Police (ITP) has discarded over 16,000 pressure horns, removed from the vehicles during special campaigns against noise pollution, to mark World Environment Day 2020. The horns were destroyed at ITP office in the presence of Inspector General of Police (IGP) Islamabad Qazi Jameel-ur-Rehman and Senior-Superintendent of Police (SSP) traffic. Speaking on the occasion, the IGP said special squads had been constituted to conduct regular checking and fining vehicles involved in creating noise pollution or other environmental pollution in the city. Similarly, ITP education wing was sensitizing the motorists, transporters on noise pollution as it affected nerves and injurious to human health, he added. Rehman lauded the efforts of ITP to end noise pollution in the Capital city and said a joint petrol unit would also be formed in collaboration with environment protection agency to take action against smoke emitting vehicles. He appealed the residents to cooperate with police force to eliminate noise as well as air pollution in the federal capital. At the onset the IGP planted a sapling at ITP office under the Prime Minister 'Clean and Green Pakistan' initiative.

**Paradigm shift required to safeguard children**

DNA

ISLAMABAD: Child Rights Movement (CRM) organized two day consultation with Civil Society Organizations and Child Rights Advocates on United Nations Convention on Child Rights Alternate Report. This event was organized in the wake of Pakistan's Submission of 6th periodic state report to UNCRC Committee. Khalil Ahmed, Program Manager SPARC and Ms. Ambreen Zehra Naqvi, National Coordinator CRM shared that demand for Budget Allocation, Highlighting Implementation Gaps, Coordination with Civil Society, Call to strengthen National Commission on Child Rights are some of the main objectives of CRM which brings civil society from all over the country together. Ms. Safdar Raza, Senior Child Rights Activist gave brief overview of UNCRC and Alternative Report. He mentioned that every report mentions that State of Pakistan has not fulfilled the recommendations of previous reports. He added that the Alternative Report submitted by Civil Society forums such as CRM often brings to light the gaps left in State Report. It shows real picture of state of child rights in the country and encompasses all issues faced by the children.

**Knowledge-based proactive governance urged**

ZUBAIR AHMAD

ISLAMABAD: Speaking at a regional webinar on Sunday, the experts urged for governance reforms and integrated regional approaches towards identifying the challenges and threats confronting the ecosystems of the region from mountains to the coastal areas and deserts. They said the governments have to increase public funding into the ecosystems conservation and repair of the degradation done. We need to tag a price to the ecosystem services so that the people who are the actual beneficiaries should know how valuable the ecosystems are for

human life on earth. They urged the citizens to change their lifestyle and reduce consumption of everything in their use as the production of every product cost a lot of natural resources. Population control is the other element that has to be controlled with immediate effect. Carbon emissions are the third factor contributing to the degradation of the environmental resources. With changes to everyday lifestyle, we can help protect the planet and its ecosystems. Reduce or eliminate the use of household chemicals and pesticides that can hurt the environment. Harsh chemicals in typical store bought

cleaners can get into the water supply and leak into ecosystems when disposed of. The Development Communications Network (Devcom-Pakistan) and DTN organized the regional webinar on the subject "Ecosystem Restoration - learning from the case studies" on Sunday. The panel of experts included Senior Scientific Advisor EVK2CNR Ashiq Ahmad Khan, ICIMOD (Nepal) Regional Programme Manager Dr. Ghulam Rasul, World Resources Institute (India) Chief Economist Dr. Madhu Verma, biodiversity expert from Maldives Selvam Rabindranath, Devcom-Pakistan Executive Director Munir Ahmed, and Research

Fellow Desert Resource Centre (India) Tatsama Motilal. Devcom-Pakistan Executive Director Munir Ahmed while introducing the subject said: Environmental degradation is going on unchecked in Pakistan that has turned to be a graveyard of policies sans implementation. It is indeed a great movement that Pakistan hosted the international event of the World Environment Day while climate impact is rising and environmental degradation. Deforestation, change of land-use and implementation of policies and governance reforms. Countries need to look into the causes and community-based governance models for ecosystems.

Dr. Ghulam Rasul said the climate change is fast impacting the mountain resources and habitats. Communities in mountain regions face unique challenges, including a fragile ecology, natural disasters, and long distances to markets, educational facilities, and healthcare as well as high unemployment. Tourism brings benefits and potentially novel risks. Many communities have aging populations with out-migration of youth. Communities adapt to these challenges with diverse strategies, including engagement with traditional ecological knowledge, history, and narratives valuing landscape and social relationships.



## Briefs

Beggars  
through busy  
roads of twin  
cities

ISLAMABAD: The professional beggars, though proliferating in all mega urban centres across the country, have particularly thronged the busy thoroughfares of the twin cities of Islamabad and Rawalpindi.

The twin cities' residents have expressed concerns over negligence of the quarters concerned to tighten the noose against professional tramps irking masses and robbing the right of deserving masses unable to extend their hands before people for alms.

Azma Pasha told APP that begging has become a formal profession as whole families of beggars have adopted this profession and hoodwinking masses as pretending to be marginalized and impoverished beings of the society. She added that they at times were also creating immense disturbance in the life of common man, they have occupied almost all the public spots and do not let people leave without giving alms to them.

Akram Sai, a school teacher said the professional beggars from rural areas and small cities had moved to the twin cities of Islamabad and Rawalpindi, they had awash markets, malls, streets and even the main doors of the mosques, they used different tactics to gain sympathy of innocent citizen or people.

"The most common is holding an infant or young probably below 7-year age child partially unconscious condition disguising as a special child. At times these women weep so loudly and ghostly as showing that something very tragic has happened to befool common masses," he added. - APP

Al-Shifa  
holds free  
medical camp

## STAFF REPORT

RAWALPINDI: Al-Shifa Trust Eye Hospital Rawalpindi conducted a one-day Minhaj Free Eye Camp at Hira Public School Lane No. 3, Gulistan Colony, Rawalpindi.

During camps, the eye specialists examined 350 patients, conducted 25 operations and provided required medication to patients.

The specialists also advised people to take care of their eyes and must go for check-ups at least once a year.

Director, Hira Public School, Raja Kamran Zameer thanked the team of doctors for their concern and free of charge services. He lauded the services of Al-Shifa Trust Eye Hospital which is fighting against blindness as a noble cause.

Chairman  
PAL condoles  
demise of  
Tahir Afridi

## DNA

ISLAMABAD: Chairman, Pakistan Academy of Letters (PAL) Dr. Yousuf Khushk on Sunday expressed deep sorrow and grief over the demise of Tahir Afridi, a prominent Pashto writer, novelist and researcher.

He said in his condolence message that Tahir Afridi's services for Pashto literature and journalism in Karachi are unforgettable. The Pashto language magazine Jaras, published under his editorship, played an important role in the promotion of Pashto language and literature.

Dr. Yousuf Khushk said that many books of Tahir Afridi containing fiction, novels, reportage and travelogues have been published. Damhlunun Khwa Ke, Pandey Pandey (Fiction), Didan (Urdu Fiction), Safarpa Khair, (Safarname) Lara Ke Makhham, (Afsana) Safar Madam Safar (Safarname), Janan M Qatarta Ruwan De (Reportage), I, Kandroke Raguna (Novel), Kehsaron Ke Yeh Log (Novel), Noor Khobona Na Venam (Fiction), Dasul Hazuliywa Qisa (Fiction) and many other books are valuable assets for Pashto literature. He said that with the demise of Tahir Afridi, Pashto literature has lost an important writer.

## CDA launches developmental works in Islamabad

Setting up eco-friendly industries to be allowed: Amer Ali Ahmed; CDA support to industrial sector lauded: Tariq Sadiq



## STAFF REPORT

ISLAMABAD: Chairman of the Capital Development Authority (CDA) Amer Ali Ahmed on Saturday said various developmental schemes have been initiated in the Islamabad and Kahuta Industrial areas to facilitate the industrialist community which is the backbone of the economy. He said that rehabilitation

of many roads in I-9 and I-10 Industrial Areas along with Kahuta Triangle have been initiated including the important Islamabad Dry Port Road while maintenance of street lights in the industrial area has been started.

Talking to a delegation of Islamabad Industrial Association led by its President Tariq Sadiq, he informed that rehabilitation of the road linking Kahuta Indus-

trial Triangle and streets within the industrial estate will cost Rs 374 million. SVP of IIA Omair Khattak, VP Shaikat Hayat, Shaikat Masood, Amir Waheed, Shaban Khalid, Atif Ikram, Nasir Qureshi, Zakria Zia, Chief Coordinator Malik Sohail Hussain and other industrialists were also present at the occasion. Amer Ali Ahmed said that an important Board meeting is on the cards with a sin-

gle-point agenda to resolve the issue of lease renewal of the Industrial plots. CDA may allow setting up all the environment-friendly industries in Islamabad except for those which are in the negative list, he said, adding that we need entrepreneurs that keep the environment first in their preferences as we cannot afford to have units posing a threat to ecosystems. We have a clear commit-

ment to achieve industrial growth while protecting the environment, he underlined and also assured all-out cooperation regarding demand of open policy regarding Trade Change and non-conformity notices. During the meeting, a decision was reached to form a joint advisory committee to assist Chairman CDA in matters confronting industrialist community. Tariq Sadiq said that CDA

is supporting the industrial sector which will enhance the manufacturing sector's contribution to the GDP and provide jobs. Other members of the delegation lauded the ongoing operation to remove encroachments and retrieve state land and demanded rehabilitation of roads of I-11 Sabzi Mandi and I-10 Service Road which was accepted by the Chairman CDA.

## 'All Tax Returns should be accepted'

ISLAMABAD: Ajmal Baloch, president All Pakistan Anjman Tajiran and Traders Action Committee Islamabad, and Khalid Chaudhry, secretary and former senior vice-president ICCL, have said that traders have lost their business over the past year and a half. Most of them are facing default. Instead of squeezing the existing taxpayers further, new taxpayers should be registered. Only two and a half million statements are collected while eight million commercial electricity meters are installed across Pakistan. The records of all these connection holders are with the electricity distribution companies. These consumers pay 10% income tax on electricity bills in advance. Only such people need to submit regular returns, thus reducing the burden on existing taxpayers. They further said that the condition of identity card on purchase is currently inappropriate. This condition should be postponed or a condition of Rs. 1 million should be placed. Ordinary buyers avoid giving a copy of the ID card. They further said that an agreement was reached between FBR and Anjman-e-Tajiran last year which has not been implemented by FBR yet. It was agreed to make income tax return form simple and one page but it did not happen. It was agreed to make committees of local organizations and FBR in different cities but it could not be implemented. They further said that in the time of Shaikat Aziz, self-assessment system was introduced in income tax but it was changed over time though with the advent of this system there was a significant increase in tax revenue and officers intervened. - DNA

## Pakistan preparing for green CPEC, says Amin Aslam

## DNA

ISLAMABAD: "When PM of Pakistan visited China, there was a meeting on Greening of Belt and Road Initiative, where they discussed about changing China-Pakistan Economic Corridor (CPEC) to Green CPEC. We have done lots of preparation for that," Special Assistant to the Prime Minister on Climate Change, Malik Amin Aslam said in an interview with Gwadar Pro.

Malik Amin Aslam said that it is the vision of Pakistan's Prime Minister Imran Khan and Chinese President Xi Jinping that we have to convert China-Pakistan Economic Corridor into a green land. achieve the goal, "First, we are including hydropower

development which is zero-carbon energy into that. Secondly, we had discussed our forest issues with China," he said. China has vast experience in forestation and its greening of Kubuqi Desert, which is converted into a forest with millions of hectares of trees planted, is a hugely successful model for land restoration projects everywhere. "We have signed an MOU with the Chinese company that carried out this experiment in Kubuqi Desert. In Pakistan, we will also carry out that pilot experiment. The Chinese government is funding it. It will help us in integrating the same experiment in our Billion Trees Tsunami Project," Malik Amin Aslam said.

He also added that the Chinese company, known as

Elion Resources Group, has carried out all kinds of experiments about different trees, habitat and environment that is required for their growth. "I have personally visited Kubuqi Desert and it is a wonder of the world," he mentioned.

Talking of this year's World Environment Day, he said this is a great honor for Pakistan to host it, adding that it's because the actions taken for climate change according to the vision of Prime Minister Imran Khan are being recognized and accepted by the world and they act as an inspiration for the world. Among these effective actions, he highlighted the Ten Billion Trees Tsunami project, saying that as Pakistan is blessed with rich natural forests, its target is

to spread awareness about the need for the forests, which is very important for our next generation. "In Baluchistan, KPK, Punjab, and Sindh, there are certain belts where there can be successful cultivation of olive trees. We are researching on it. In the Billion-Tree Tsunami project, we have started a sub-project in KPK that is an Olive Tree Tsunami, and hopefully, we will expand it further as well." Besides, he informed that this year, a project by the name of Recharge Pakistan is being launched, where the flood that passes through Pakistan each year is planned to be used for filling up wetlands, lakes, and reservoirs and for tree plantation, while simultaneously recharging groundwater.



ISLAMABAD: Women hailing from business fraternity posing for a group photo with Secretary General UBG Zafar Bakhtawari. - DNA

## USA, UK, China top targets of Pak's exports

Exports to France during the months under review were recorded at US \$ 361.699 mn

## DNA

ISLAMABAD: United States of America (USA) remained the top export destinations of the Pakistani products during the first ten months of financial year (2020-21), followed by United Kingdom (UK) and China.

Total exports to the USA during July-April (2020-21) were recorded at US \$ 4019.722 million against the exports of US \$ 3368.090 million during July-April (2019-20), showing growth of 19.34 percent, according to State Bank of Pakistan (SBP).

This was followed by UK, wherein Pakistan exported goods worth US \$ 1691.314 million against the exports of US \$ 1386.999 million last year, showing an increase of 21.94 percent.

China was at third top export destination, where Pakistan exported goods worth US \$ 1640.629 million during the months under review

against the exports of US \$1411.004 million during last year, showing growth of 16.27 percent, SBP data revealed.

Among other countries, Pakistani exports to Germany stood at US \$ 1245.122 million against US \$1116.232 million during last year, showing increase of 11.54 percent while the exports to UAE were recorded at US \$ 1215.939 million against US \$ 1377.287 million last year, the data revealed.

During July-April (2020-21), the exports to Holland were recorded at US \$922.819 million against US \$850.421 million whereas the exports to Afghanistan stood at US \$ 828.727 million against US \$809.685 million.

Pakistan's exports to Italy were recorded at \$629.917 million against the exports of US \$ 642.617 million while the exports to Spain were recorded at US \$ 668.773 million against US \$751.606 million last year.

The exports to Bangladesh

stood at US \$497.396 million against US \$ 599.658 million. Similarly, the exports to France during the months under review were recorded at US \$ 361.699 million against US \$ 358.620 million while the exports to Saudi Arabia stood at US \$ 401.643 million against US \$ 388.610 million.

Pakistan's exports to Turkey were recorded at US \$218.069 million during the current year compared to US \$240.196 million last year whereas the exports to Canada stood at US \$253.928 million against US \$ 231.242 million, to Poland US \$ 247.839 million against US \$ 218.654 million whereas the exports to Australia stood at US \$ 216.939 million during the current year against US \$ 170.321 million during last year.

Overall Pakistan's exports to other countries witnessed growth of 6.54 percent in ten months, from \$19.703 billion to \$20.992 billion, the SBP data showed.

## Filtration plants installed

ATTOCK: Special Assistant to Prime Minister (SAPM) on Climate Change Malik Amin Aslam on Sunday said 45 Water Filtration plants have been installed with the cost of Rs 60 million for the provision of clean drinking water to the residents of Attock, Hazro and Hasanabdal. - DNA

## World leaders laud Pak for reversing climate impacts

## DNA

ISLAMABAD: Global leaders Saturday appreciated Prime Minister Imran Khan's leading role for showing the world that through devotion and commitment, the tides of global warming and climate change could be reversed.

World Environment Day event was hosted by Pakistan in which the world leaders dilated upon myriad challenges faced by humanity alike, including rising temperatures, deforestation, melting of glaciers, carbon emissions and water scarcity. The high-level event was telecast live throughout the globe.

The leaders commemorated efforts of Pakistani nation led by Prime Minister Imran Khan to tackle environmental impacts with a number of mega initiatives and by achieving a target of planting one billion trees out of Ten Billion Tree Tsunami.

Chinese President Xi Jinping in his message read out by the Chinese ambassador, said "China commends Pakistan's

commitment (to ecosystem restoration), and stands ready to work with Pakistan and the rest of international community to step up cooperation within the UN framework..."

Noting the significance of UN Decade on Ecosystem Restoration, President Xi said the thematic activities held by Pakistan were of great importance. While British Prime Minister Boris Johnson in his virtual message said "I salute what PM Imran Khan has done in promising to plant 10 billion trees (in Pakistan)." Executive Director UNEP Inger Anderson said the UN Ecosystem Restoration Decade was aimed at reversing the damages caused by the world to the environment.

"Pakistan is showing us a way. Prime Minister Imran Khan recently planted one billionth tree of Ten Billion Tree Tsunami. Bravo to all," she remarked. President Word Economic Forum Borge Brende also lauded Pakistan's initiatives like planting of ten billion trees over the huge chunks of degraded forest lands.

## PNCA GB starts work on "Gems of GB"

ISLAMABAD: Pakistan National Council of the Arts (PNCA), Regional Office Gilgit Baltistan has started work on its first music project album titled "Gems of GB" from its studio.

PNCA deputed a musical team of professionals comprising Khurram Latifi -Director Performing Arts, Sherry Bakshi, a renowned musician, music arranger along with other crew members to record and preserve precious but dying folk songs, tunes and traditional instruments with modern recording techniques in state of the art studio, Director General PNCA Dr. Fouzia Saeed told APP on Sunday. .

"For that purpose, the legendary senior artist, musician, composer and poet an Ali has recorded ten songs and three instrumentals on traditional instrument Shehnai," she added.

She said PNCA will release a complete audio and video album titled "Gems of GB".

It will be the opening release of the mega musical series, followed by the recording and preservation of folk musical assets of the country. - APP

## PTI to form govt in AJK polls: Amin

## DNA

ISLAMABAD: Federal Minister for Kashmir Affairs and Gilgit Baltistan Ali Amin Khan Gandapur Sunday said that Pakistan Tehreek-e-Insaf was the only government which allocated more funds than before irrespective of party base government in Azad and Jammu Kashmir. Talking to a private news channel he said PTI led government would form next government in Kashmir as people of Gilgit Baltistan showed confidence on PTI leadership in previous election. He said PTI always believes in transparency and no interference was done in the provinces in the past, they all are independent to spend all funds at their own choice. To a question he said, politician always pursue their personnel interest for constituency, however, PTI has constituted a board to assess people to join on ideology basis.

## Legacy world tour to be announced soon: Rahat

## STAFF REPORT

ISLAMABAD: Renowned vocalist Rahat Fateh Ali Khan has said that the "The Legacy" world tour 2021 date will be announced soon amid huge demand of his fans across the world.

In a statement, he said, "sharing with all my audiences, promoters and friends about our forthcoming "The Legacy" World Tour 2021." He said the Legacy Tour is conceptualized by Salman Ahmed and promoted by PME, adding that as he was continuing a "Legacy" of his family of over 600 years, it was based on it. He said that it would be subject to Local Government Guidelines and Standard Operating Procedures, adding that the most important aspect was to be stay healthy and safe. He expressed the hope that he would meet his fans and audiences once again. "Born into a family whose name has become synonymous with South Asian musical tradition, he began formal training at the age of seven and has since released more than 50 albums, performed in numerous high-profile concerts across the world, and amassed a global following, achieving over one billion views online," the varsity said about the singer. "Rahat Ali Khan has sung more than 50 title tracks of television serials and over 100 film songs in both Hollywood and Bollywood," it added. He is a nephew of legendary Qawwali maestro Ustad Nusrat Fateh Ali Khan. He began his career at the age of three, performing and studying under the tutelage of his uncle referred to as the "King of Qawwali".



ISLAMABAD: A large number of participants attended the CSP's inauguration (hard launch). Former & serving govt. officials, academics, students & think tankers also attended. - DNA



## FATF rating improves

ON the FATF front, some good and bad news appear to be going hand in hand for Pakistan. It is good news that the Asia Pacific Group (APG) on money laundering has improved Pakistan's rating on 21 of the 40 technical recommendations of the FATF against money laundering and terror financing. The flipside is that it has retained Pakistan on 'enhanced follow-up' for sufficient outstanding requirements. The second follow-up report on mutual evaluation of Pakistan that the APG released has downgraded the country on one criterion. The APG is a regional affiliate of the Paris-based FATF, and rates countries on their compliant status. The latest report has rerated Pakistan to compliant status on five counts and on 15 others to largely compliant. Moreover, on one count it has given Pakistan a 'partially compliant' status. To date, it all adds up to being fully compliant with seven recommendations and largely compliant with 24 others.

With an overall score of 31, the government of Pakistan finds itself at an intersection now. One road goes to a self-congratulatory path where we gloat over our achievements; the second is more advisable and challenging on which we need to tread carefully and try to improve our status on the remaining nine recommendations of the FATF.

Being declared non- or partially-compliant should still be a cause of concern, as it may land Pakistan in troubled waters once again. Though Minister for Energy Hammad Azhar, who is also head of the task force on FATF, has reassured the nation that being on the FATF's blacklist is no longer a possibility, remaining on the grey list will itself mark a failure on the part of the government which has been dilly-dallying on some vital recommendations of the FATF. Being on 'enhanced follow-up' is not something to be proud of as we will continue to report back to the APG on progress to strengthen our implementation of anti-money laundering (AML) and combating financing terror (CFT) measures.

Pakistan's First And Only Diplomatic Daily

Editor-in-Chief: Ansar Mahmood Bhatti  
Deputy Editor: Abid Raza

ABC CERTIFIED

Vol: 02 Issue: 30

Email: [dailyisbpost@gmail.com](mailto:dailyisbpost@gmail.com)

Phone: 051-2266165 / 051-2261960

Off: Awan Plaza, Block 18-A, G-8 Markaz Islamabad



## Returning to normalcy

MUHAMMAD OMAR IFTIKHAR

THE pandemic has surely changed our lifestyle. During the lockdown, we were compelled to transform our normal lives that were led by digital media. It may take time to return to the pre-covid lifestyle. Vaccinations are being administered to citizens from the age groups of 18 and above. However, there is still confusion regarding our future. Until the beginning of 2020, life was pretty normal in Pakistan and across the world. Since the lockdowns were implemented in February-March 2020, life took a drastic turn. When talking about returning to normalcy, the first industry eager to do so will be the tourism sector. It was affected the most as people were not traveling at all. The restaurant industry also declined in service and profits as people were not dining out as take-away and delivery were the only options. Organizations were also not sending their employees on vacations, official trips, or inviting experts from abroad. The lockdown also affected the workers working on daily wages. Be it the street vendors or owners of grocery stores, the supply and demand were highly affected for all businesses, big or small. Returning to normalcy will indeed be a challenge for the masses, especially those living in urban areas of Pakistan. Everyone allowed to be vaccinated should do so at the earliest so the infection rates may reduce. However, normalcy may not mean that we ignore following the government's instructed social distancing protocols. Wearing a mask should be continued and using hand sanitizers must be observed. With a variety of Covid-19 variants now discovered and transmitted by those traveling - one needs to take necessary proactive measures. Normalcy may never return in true form. The emotional and psychological impact of going through the era of the pandemic may remain and haunt us for years. We can certainly adjust to this "new normal" and try accepting this shift in lifestyle.

## Daesh is defeated, but their 'brides' are still an issue

Dalia Al-Aqidi



A documentary shown in May at the Human Rights Watch Film Festival in New York featured a 26-year-old American-born woman of Yemeni descent who chose to be part of one of the bloodiest terrorist groups the world has seen

THE Daesh "caliphate" in Iraq and Syria has vanished, the vast majority of its terrorists either killed or captured, and their threat largely neutralized. However, a new challenge has emerged – how should the international community deal with the women and children that the terrorists left behind?

Are these women innocent or guilty? Should they face the same consequences as their captured husbands, or be forgiven? And most important, how hard will it be for these women to be welcomed and reintegrated into their communities?

A documentary shown in May at the Human Rights Watch Film Festival in New York featured a 26-year-old American-born woman of Yemeni descent who chose to be part of one of the bloodiest terrorist groups the world has seen.

In 2014, Hoda Muthana was a college student in Hoover, Alabama, when she decided to run away to join the enemies who wanted to destroy the country she was born in and kill the people she grew up with. As soon as she arrived in Syria, Muthana became active on Twitter under the name @UmmJihad, rejoiced in burning her US passport and urged other jihadists to spill American blood and carry out terrorist attacks against innocent people.

"America deserves everything it has coming to it, by Allah we will terrorize YOU! Until you submit to Shariah." This is a sample of Muthana's social media engagements while she was living in the promised Islamic state, where she was married to three Daesh fighters, all of whom were killed.

Since 2019, Muthana and her family have been trying to secure her return to the US with her two-year-old son, Adam, but she is barred from entering the country. According to former Secretary of State Mike Pompeo, despite having been born in the US, Muthana has no right to US citizenship because she is the daughter of a foreign diplomat.

In the Western world, however, even terrorists have lawyers to fight for them, whitewash their betrayal and crimes, and portray them as brainwashed innocent victims under the pretext of human rights – or, in the case of Muthana's lawyer, Hassan Shibly, to blame the "racist mentality" of former President Donald Trump.

Shibly resigned in January from his post as executive director of the Florida chapter of the Council on American-Islamic Relations (CAIR), following allegations of domestic abuse and sexual exploitation of women. He has close ties to American Islamist politicians such as Minnesota's Representative Ilhan Omar, and chose to attack the Trump administration as a tactic to bring his client back into the country.

However, Hoda Muthana's case is not unique; thousands of women and children from more

than 50 countries were left behind in camps in Syria and Iraq. These women are not innocent brides who were kidnapped from their homes and forced into sexual slavery. On the contrary, they chose to join this terrorist organization and do whatever it asked of them, including bearing children. They should face the consequences of their choices and be held accountable for their actions. They are terrorists and should be treated accordingly.

Since it is difficult to accurately record what crimes these women have committed and the extent of their radicalization, countries with reliable justice systems should allow them to return and be put on trial. Behind bars, they could go through therapy and rehabilitation programs to limit the threat of bringing back their radical ideologies and spreading them within their communities. Meanwhile, an international commission should be formed by the members of the global coalition to ensure that no female terrorists can run free and hide in countries with less strict rules when it comes to terrorism.

There is still a long road ahead, but we must always remember that these women were not "brides" – simply terrorists.

(Dalia Al-Aqidi is a senior fellow at the Center for Security Policy.)

Twitter: @DaliaAlAqidi

–Courtesy Arab News

## World Environment Day: World aims to restore ecosystem

Ali Basit

The degradation of ecosystems is an environmental problem that reduces the capacity of species to survive. The rate of environment and ecological degradation was highest in the past 50 years than any time in history. It occurs when Earth's natural resources like water, air and soil are depleted due to natural factors (storms, floods, and wildfires), biodiversity loss, agricultural practices, faulty land use, and pollution due to anthropogenic activities and release of pollutants by human activities. Thus, greatly impacts our wildlife, plants, animals and microorganisms

their environment. Since 1974, this day is being held annually and has become one of the most important venue for stimulating the progress on the environmental dimensions as per the UN stated Sustainable Development Goals. With the UN Environment Programme (UNEP) at the helm, around 150 countries across the world would participate in this event along with other major corporations, non-governmental organizations, and civil societies in order to adopt the World Environment Day brand to surmount the environmental challenges. The theme for this year's World Environment Day is 'Ecosystem Restoration' – a call for action to synergize global efforts to recover the ecosystems that have been degraded.

Before going into the degradation factors of our ecosystem and how they pose challenge to the human environment, there is a need to shed a light on what actually the ecosystem is. It is a community of living and non-living organisms along with their natural habitat and the non-living components of their environment. It includes two major components; biotic and abiotic. The abiotic components are the non-living element of the system such as Air, Water, Sunlight, Nutrients and Temperature. Whereas the biotic components are all the living organisms existing in the system like plants, animals, fungi, micro-organisms and humans.

The degradation of ecosystems is an environmental problem that reduces the capacity of species to survive. The rate of environment and ecological degradation was highest in the past 50 years than any time in history. It occurs when Earth's natural resources like water, air and soil are depleted due to natural factors (storms, floods, and wildfires), biodiversity loss, agricultural practices, faulty land use, and pollution due to anthropogenic activities and release of pollutants by human activities. Thus, greatly impacts our wildlife, plants, animals and microorganisms. Moreover, ineffective international policies leave the future of the environment in a critical state with carbon dioxide level rising out of control. It is predicted that the Earth's temperature will increase by 11 °F by the end of the century.

Our ecosystems are really important, if we keep polluting them, we would soon go extinct and Earth would not be habitable ecosystem

ever. Human pressures have already transformed the majority of the world's ecosystems by destroying and degrading marine and other aquatic habitats, undermining the services they used to provide us. Therefore, ecological restoration is mandatory for biological community and economic benefits of the people. It is a process that assists in the recovery and management of ecological integrity (variability in ecological processes and structures, sustainable cultural practices and biodiversity). Approaches used for the restoration of ecology include Reclamation (deals with the minimization of the degradation process), Rehabilitation (aims at bringing the damaged ecosystem to a functional one), Re-vegetation (establishment of grass cover, seeding the shrubs and herbs on degraded sites), and Ecological Engineering (rebuilding of ecosystem based on designed eco-friendly techniques).

According to a latest report by the Intergovernmental Science-Policy Platform on Biodiversity and Ecosystem Services (IPBES) stated that around one million plant and animal species are facing extinction. The result of this extinction may increase the losses in biodiversity thus, encouraging the spread of infectious diseases and viruses. According to a 2019 report by Organization for Economic Cooperation and Development (OECD), "natural forests are declined by 6.5 million hectares per year between 2010 and 2015 (in total, an area larger than the UK) and natural wetlands declined by 35% between 1970 and 2015."

The report further noted that "over 30% of corals are now at risk from bleaching, and 60% of vertebrate populations have disappeared since 1970." These significant changes are driven by land-use change, over-exploitation of natural resources including plants and animals, pollution, invasive alien species (threaten biodiversity by crossbreeding with local species and bringing diseases) and climate change. According to an estimation by OECD, the biodiversity services are worth an estimated US \$125-140 trillion per year, more than one and a half times the size of global GDP. However, due to the continuous decline of ecosystem, it reducing nature's capacity to contribute to people's well-being.

On this year's environment day, Pakistan has announced to host World Environment Day

2021 in partnership with the UN Environment Programme (UNEP).

This year's observance of World Environment Day will mark the formal launch of the UN Decade on Ecosystem Restoration 2021 – 2030. Led by PM Khan, the Government of Pakistan plans to expand and restore the country's forests through a 10 Billion Tree Tsunami spread over 5 years. The campaign includes restoring mangroves and forests, as well as planting trees in urban settings, including schools, colleges, public parks and green belts. Pakistan has launched an Ecosystem Restoration Fund to support nature-based solutions to climate change and facilitate the transition towards environmentally resilient, ecologically targeted initiatives covering afforestation and biodiversity conservation. Recently, the Prime Minister of Pakistan launched the Protected Area Initiative to develop 15 model protected areas across the country to conserve over 7300 sq. km of land area and create over 5,500 green jobs. As host of World Environment Day, Pakistan will highlight environmental issues and showcase the country's own initiatives and its role in global efforts.

The hope resides in the possibility that we can reverse the changing trends of ecosystems by reconstructing our relationship with the nature and transforming the environmental infrastructure. Apprehending the importance of issue in hand, Pakistan Navy is going an extra mile by stepping up its efforts for preventing degradation of ecosystems and preserving nature for country's future.

Pakistan Navy celebrates World Environment day every year by arranging a number of activities on this Day to limelight the significance of environment in Pakistan. These activities include various lectures and seminars on the importance of the day to promote public awareness, cleaning campaigns in Harbours and Coasts, environment awareness walks, social media campaigns and displaying of environment protection banners at various public places. In line with the Prime Minister's initiative of 'Green Pakistan', the Pakistan Navy has also launched various initiatives including trees and mangroves plantation campaign for protection, preservation and conservation of environment.

WORLD Environment Day is celebrated each year on 5th June under the auspices of United Nations to spread worldwide awareness and encourage the nation-states to take action for the protection of



## Briefs

## Roger Federer into French Open last 16

PARIS: Roger Federer battled into the French Open fourth round after a tense four-set victory over Dominik Koepfer in a tie played inside an eerily-empty stadium and which finished at 12:42 on Sunday morning. Federer, the 2009 champion and probably taking part in his last Roland Garros after a career stretching into its fourth decade, will be in the second week in Paris for the 15th time. His knife-edge 7-6 (7/5), 6-7 (3/7), 7-6 (7/4), 7-5 win over the 59th-ranked German took place at a Court Philippe Chatrier devoid of fans and atmosphere due to a government-enforced Covid-19 curfew. — APP

## Durant scores 29 in NBA series opener

LOS ANGELES: Kevin Durant had 29 points and 10 rebounds as the Brooklyn Nets withstood Giannis Antetokounmpo's 34-point performance to beat the Milwaukee Bucks 115-107 in the opening game of their second round series. The Nets won the battle between two of the NBA's most potent offences on Saturday night despite losing James Harden to a nagging hamstring injury in the first minute of the game. Harden was forced out just 43 seconds in, pulling up and grabbing the back of his leg after a drive. He did not return. Kyrie Irving had 25 points and eight assists, Blake Griffin tallied 18 points and a team-high 14 rebounds for the Nets, who beat the Bucks in six games in the 2003 finals, the last time they met in the playoffs. Journeyman Mike James came off the bench to score 12 points in the win. Game two is on Monday in Brooklyn. — APP

## Pakistan, Sweden ties from...

From Page 01  
Because of these common grounds both the countries maintain excellent relations. "We believe that there is a great room for more collaboration especially in the field of innovation where Sweden is a world leader and where the government of Pakistan is focused upon." Environment of course is yet another area where both countries can cooperate. Then the higher education is yet another area where both countries can expand their cooperation. Many Pakistani students are studying in the Swedish universities adding this cooperation can further be increased.

## Govt can't use IMF as ruse, says Bilawal

From Page 01  
He said the government wanted to conceal his economic ineptness by putting blame on the IMF for unbridled inflation in the country. Bilawal wondered if India could keep its inflation rate at 4.29% despite a menacing second wave of corona pandemic and Bangladesh managed to keep it at 5.54%, then why Pakistan's inflation rate spiraled to 10.9%. He lamented that the mafia working under Prime Minister Imran Khan had raised the chicken meat prices 110%. He said the PTI elite had earned profit of billions of rupees after raising chicken meat prices. Now the same profiteers are bringing the chicken prices down and claiming credit for that, he lambasted. Bilawal said people were getting poorer and PM Khan was planning to dole out billions of rupees on PTI parliamentarians. He said during the worst economic crisis the country was facing right now, giving Rs96 billion to PTI lawmakers was an anti-people move. "On one hand, people do not have any money in their pockets and Imran Khan plans to reward PTI assembly members with billions of rupees in the budget," said Chairman PPP. He asked the premier instead of doling out billions of rupees on the parliamentarian who had been elected after rigging the polls, he should spend this public money on the welfare of the people.

## Pakistani school's cultural event attracts int'l audience

The cultural event on International Culture Day was a part of the celebrations being held this year to mark the 70th anniversary for the establishment of diplomatic relations between Pakistan and China

BEIJING: An exquisite and stunning cultural performance, food stalls, art and history exhibitions and a number of activities for kids held at the Pakistan Embassy College Beijing (PECB) generated a lot of interest among the international audience. The cultural event on International Culture Day was a part of the celebrations being held this year to mark the 70th anniversary for the establishment of diplomatic relations between Pakistan and China. Pakistan Ambassador of China, MoinulHaque visited stalls and exhibitions set up by students of PECB from different countries and appreciated them for representing handicrafts, foods and culture of their respective countries. Addressing the audience, he said the wonderful cultural activities at

PECB on eve of International Culture Day had become a signature event of the diplomatic and international community in China. He said the entire world was passing through a very difficult and extraordinary phase in wake of the Covid-19 pandemic which had disturbed normal life of the people. Under such an atmosphere, people were unable to travel and they could not meet their loved ones, he said and added, "We are very lucky to be in China which is the safest country on earth". He said, China had achieved a great victory against COVID-19 pandemic due to the determination, discipline and collective national efforts. However, rest of the world was still facing this pandemic. Terming the cultural event a part of the school education and train-

ing system, he said, through such activities, the management of the school wanted to instil values of friendship, teamwork and voluntary work among the students besides bringing them together. He appreciated all the students who took part in different activities of the day despite their annual examinations. Ambassador Moin said the students were future leader of our nation and asked them to continue doing hard work with determination and honesty and in a very passionate manner. He thanked diplomats from different foreign missions for their enthusiastic participation and also dedicated the event for mutual friendship and very special ties. He also expressed deepest appreciation to the school team and

everyone who was involved to make the event a success. Principal, ShaziaAmjad welcomed the audience and expressed gratitude for their keen interest and enthusiastic participation. A large number of students, their parents, families, officials and diplomats from the Pakistani and foreign missions based in the Chinese capital enthusiastically participated in the cultural gala. Pakistani food, handicrafts and traditional dresses showcased to highlight and promote Pakistani culture attracted a lot of attention from the participants. Pakistani food and snacks was also a favorite item. The participants got a chance to travel through different countries, taste their food, saw their national dresses and listened to their folk and cultural songs.

The medley of Pakistani, Chinese, Bangladeshi and African cultural performances and songs, Chinese martial art performance, Chinese fashion show was greeted with warm applause by gathering. The students and families from over 25 countries including China, Turkey, Bangladesh, Iran, Uzbekistan, Nepal and many African nations set up cultural stalls and exhibited their national dresses, handicrafts and food at the event. The visitors took keen interest in the history, geography and science exhibitions, fun areas, games and activities for kids particularly haunted house. The ambassador and his wife cut a cake along with the principal, teachers and students to mark the special occasion. The students were also given gifts through lucky draw. — APP

## Naomi Osaka thanks fans after French Open withdrawal



TOKYO: Japan's tennis player Naomi Osaka has thanked her fans for their support after the four-time Grand Slam champion withdrew from the French Open earlier this week, citing mental health issues. The world number two initially

said she would not attend the tournament's mandatory post-match press conferences, which she said put undue pressure on players. French tennis officials fined Osaka \$15,000 and threatened to expel her from the tournament for not honouring mandatory media commitments. After her first-round win, the 23-year-old announced she was withdrawing from the tournament and revealed she had been suffering bouts of depression for several years, leading to an outpouring of support. "Just want to thank you for all the love," she wrote in an Instagram story. "Haven't been on my phone much but I wanted to hop on here and tell you all that I really appreciate it." Osaka said earlier that post-match news conferences are detrimental to her mental health and likened the traditional question and answer format to "kicking people when they're down". She also did not say when she plans to play next, putting her participation at Wimbledon and the Tokyo Olympics in doubt. French Open officials said they tried unsuccessfully to speak with Osaka before she pulled out. Osaka has withdrawn from a grass-court tournament in Berlin that starts on June 14. She said her mental health struggles began in 2018 after she won the first of her four majors at the US Open in a controversial final against Serena Williams. The International Tennis Federation has promised a comprehensive review on how players and media interact during tournaments, saying it takes mental health issues extremely seriously. In the past, Osaka has used her position to call attention to issues of police violence and racial inequality. — DNA

## Muna El Kurd released following hours of detention

DNA

OCCUPIED EAST JERUSALEM: Palestinian activist Muna El Kurd was released late on Sunday after being arrested in an Israeli police raid, her father Nabil El Kurd told The National. Her twin brother Mohammed, who was also detained on Sunday, remains in custody. Ms El Kurd, 23, pioneered the Save Sheikh Jarrah campaign for the neighbourhood at the heart of a legal battle and current tensions in occupied East Jerusalem.

"Their crime was to raise their voices about the plight of Sheikh Jarrah," her father told media by phone. Stun grenades fired by Israeli forces could be heard in the background as they continued to disperse a press conference outside the detention centre where the two activists were being held. Ms El Kurd told reporters that her release was "without conditions," adding that she was prevented from contacting her brother inside the facility where she was held.

"They shut down Sheikh Jarrah neighbourhood for three weeks. Why? Because our voices reached the world," she said. On Sunday afternoon, Mr El Kurd held a



press conference about his daughter's arrest. It was dispersed by Israeli forces. A video posted online showed Israeli police raiding the El Kurd family's home, which a source who spoke to the family said took place at 10am on Sunday. Ms El Kurd was arrested and a summons for her brother, Mohammed El Kurd, was presented to the family. "They are still not done interrogating him," he said. "I will not leave until Mohammed is released." Mr El Kurd said his daughter had called him and told him she will meet him at home. The pair have been prominent on social media and in the news in recent

months over the ongoing court case in which Israeli settler groups claim ownership of the homes of around 12 families in the area. The situation in Sheikh Jarrah was one of the triggers of the 11 days of fighting between Israel and Hamas in the Gaza Strip. In the video, Ms El Kurd is seen putting on a headscarf in a nearby room before walking out escorted by Israeli police in handcuffs. Mohammed El Kurd was not home at the time but has been asked to report to authorities for "questioning", their father Nabil El Kurd told Palestinian state news service Wafa. Mohammed El Kurd has not been active on social media

since Saturday when he posted a video filmed by Ms El Kurd before her arrest. Although police have yet to comment on the arrest of Ms El Kurd directly, an Israeli police spokeswoman told Reuters "police arrested, under court order, a suspect (23) who is a resident of East Jerusalem, on suspicion of participating in riots that took place in Sheikh Jarrah recently". Nabil El Kurd accused settlers and Israeli forces of engaging in "collusion" against the Palestinians of Sheikh Jarrah. Social media posters rallied behind the El Kurds using the hashtags #FreeMunaElKurd, #MunaElKurd and their Arabic equivalent which were shared thousands of times on Twitter alone. Mr Odeh told The National that the family has not been able to contact their daughter since she was detained. "The exact reason behind the arrest remains unclear," Mr Odeh said. The family said the arrest was because of their activism. "What's happening is that they [Israel] want to quiet all of our voices in Jerusalem," said their father, Nabil El Kurd, calling on Palestinian youth to protest outside the police station on East Jerusalem's Salah Al Din Street.

## Thompson powers into US Open lead

SAN FRANCISCO: Lexi Thompson fired five birdies without a bogey in a sparkling round on the Olympic Club Lake Course Saturday to grab a one-shot lead in the US Women's Open. The American's five-under par 66 on the imposing layout gave her a 54-hole total of seven-under par 64 and a one-stroke edge over second-round leader Yuka Saso of the Philippines. Saso, a 19-year-old whose pro resume features two wins on the Japan LPGA tour, scrambled to an even par 71 for 207 - leading by as many as two but dropping out of a share of the lead with her fourth bogey of the day at 18. US amateur Megha Ganne, a 17-year-old New Jersey high school student, kept herself in contention with a one-over par 72 that left her sharing third on 210 with South Korean Lee Jeong-eun, who battled her way to a two-over 73. China's Feng Shanshan was alone in fifth after a 72 for 211. Thompson was the first player to post a bogey-free round this week at Olympic Club, which has hosted five men's US Opens but had never before hosted a women's major.

## Taliban capture 4 more...

From Page 01  
province were overtaken on Friday. "The security forces were under Taliban siege for a month in Do Aab. There were more than 300 of them who handed over their weapons to the Taliban and withdrew from their areas as part of a deal," Ismail Aikan, a lawmaker from Nuristan province, told Arab News. He added that the Taliban were "now advancing" toward the Noragram region and Do Aab, a strategic district linking Nuristan with the Panjshir province - long seen as an invincible and rugged region that troops belonging to the former Soviet Union and Taliban previously failed to capture. A lawmaker from Zabul province in southern Afghanistan lamented the loss of the area to the Taliban, who "captured it without any resistance" after overrunning a key army base in Shahjoi, another district of Zabul. "The troops abandoned their region. The Taliban have stepped up pressure on the government," Hamidullah Tokhi told Arab News. "There have been complaints about shortage of troops, lack of equipment and frustration among forces who are forced to leave the areas and just rescue their lives," he added. However, the government said that forces had "made a tactical retreat from Do Aab district."

## Sanjrani for enhanced Pak...

From Page 01  
He also stressed the need to reinvigorate the Parliamentary Union of ECO member states. "Pakistan is committed to promoting cooperation in various fields, inter alia, including trade, energy, and other areas of common interest. Both countries have always supported each other's posture on global issues of common interest," he observed. Touching upon the issue of the Nagorno Karabagh conflict, the Chairman underlined that Pakistan has always supported Azerbaijan's territorial integrity under the UN resolution. Pakistan fully supports Azerbaijan's position on the Nagorno-Karabakh issue, he maintained.

While exchanging views on the COVID-19 Pandemic, Sanjrani pointed out that the whole world is currently facing the Corona epidemic and routine life has been immensely disturbed. Only through joint strategy and efforts, we can be able to contain the epidemic, he said. The Chairman also briefed the visiting dignitary about the role and procedure of business of the Upper House in the Parliament. Sanjrani thanked Azerbaijan for its extended cooperation and support on various issues and stated that the exemplary cooperation will continue in the future as well. The Speaker of the Milli Majlis of the Republic of Azerbaijan said his country also attaches immense importance to its relationship with Pakistan. Sahiba Gafarova also expressed gratitude to the Government of Pakistan for extending diplomatic support on Nagorno Karabakh".



PARIS: Novak Djokovic returns the ball during the men's singles third round match between Novak Djokovic of Serbia and Ricardas Berankis of Lithuania at the French Open tennis tournament at Roland Garros in Paris. — DNA

## Wasim Akram is accurate with cricket knowledge: Amir

ISLAMABAD: Pakistani pacer Mohammad Amir believes Sultan of Swing Wasim Akram was a legend saying the Lahore-born left arm fast-bowler is accurate with cricket knowledge and techniques. Amir highly praised Akram's cricket mindset and said the former prolific pacer guides youngsters according to modern-day cricket. He said Akram never tried to be a coach because his mindset towards the game was too positive. "To be honest, he never tried to be a coach. He always tells you things with a positive mindset. Whenever you go to him, even when I go to him, he guides me according to what modern-day cricket demands," Amir said while talking to a private news channel. "That's why I believe, Wasim Bhai is a legend. And, legends like him do not born daily. He is accurate with cricket knowledge and techniques," he said. Speaking about Skipper Babar Azam, Amir said the prolific batsman hasn't changed even after getting the national team's captaincy in all three formats. "Babar is not the one who changes after getting captaincy. We are playing together for long time and we have a good understanding together. We learn from each other whenever we get time," he said. To a question, Amir said Babar needs sometime to prove himself as a captain. "See, he has got an additional responsibility as a captain. Now, he is supposed to look after himself, his batting, and then captaincy, it's not easy at all. You need to give him some time, saying anything about his captaincy at this moment would be too early I guess," he said. Amir also praised the Pakistan Super League (PSL) management and franchises for putting things into the right place for completion of the sixth edition. — APP

## US to donate COVID jabs to Taiwan amid China row

Senator Tammy Duckworth, who landed in Taiwan with two of her colleagues on Sunday, said their trip underscores the bipartisan support for the democratic island that Beijing claims as its own territory. Taiwan blames China for latest WHO meeting snub Taiwan holds out hope for seat at World Health Assembly meeting

## FOREIGN DESK

WASHINGTON: The United States will give Taiwan 750,000 doses of COVID-19 vaccines, as part of the country's plan to share millions of jabs globally, a delegation of US senators have announced, after Taipei complained that China was hindering its efforts to access the injections. Senator Tammy Duckworth, who landed in Taiwan with two of her colleagues on Sunday, said their trip underscores the bipartisan support for the democratic island that Beijing claims as its own territory. Taiwan blames China for latest WHO meeting snub Taiwan

holds out hope for seat at World Health Assembly meeting "We are here as friends, because we know that Taiwan is experiencing a challenging time right now, which was why it was especially important for the three of us to be here in a bipartisan way," said Duckworth. "It was critical to the United States that Taiwan be included in the first group to receive vaccines, because we recognise your urgent need, and we value this partnership." She did not give details of which vaccines Taiwan would get or when. Taiwan is dealing with a spike in domestic cases but has been affected like much of the world by

global vaccines shortages. Only approximately 3 percent of its 23.5 million people have been vaccinated, with most getting only the first shot of two needed. Taiwan has accused China of blocking its efforts to secure vaccines, but Beijing denied the claims and has offered the island Chinese-made vaccines. But the government in Taipei has repeatedly expressed concern about their safety, and, regardless, cannot accept them without changing Taiwanese law, which bans their import. Standing by Duckworth's side, Taiwan Foreign Minister Joseph Wu thanked Washington for the donation. "While we are doing our best to import vaccines, we must

overcome obstacles to ensure that these life-saving medicines are delivered free from trouble from Beijing," he said. Wu said Taiwan was fortunate to have many like-minded countries showing their support, which he said is about sustaining freedom and democracy in the face of autocracy. Duckworth and her colleagues, Dan Sullivan and Christopher Coons, also met President Tsai Ing-wen at the Songshan Airport in downtown Taipei. Tsai said the vaccines, along with those Japan donated last week, would be a great help in their fight against the virus. "The vaccines are timely rain for Taiwan, and your assistance will be etched on our hearts," Tsai told

the senators, in footage released by her office. US senators and congressmen visit Taiwan routinely in normal times, but coming in the middle of an upswing in infections on the island when its borders remain largely closed to visitors is a strong show of support. Unusually, they also arrived on a US Air Force C-17 Globemaster III freighter, rather than a private jet as is generally the case for senior US visitors. Taiwan's vaccine arrivals have been gathering pace. Japan delivered to Taiwan 1.24 million doses of AstraZeneca PLC's coronavirus vaccine on Friday for free, in a gesture that more than doubled the number of shots the island has received to date.



## Briefs

## Harry, Maghan welcome second child

WEB DESK

SANTA BARBARA: The Duke and Duchess of Sussex have announced the birth of their second child, a baby girl. Lilibet "Lili" Diana Mountbatten-Windsor was born on Friday morning in a hospital in Santa Barbara, California. Both mother and child are healthy and well, the pair said in a statement. The couple said they named their second child Lilibet after the Royal Family's nickname for the Queen, the baby's great-grandmother. Her middle name, Diana, was chosen to honour her "beloved late grandmother", The Princess of Wales, the statement said.

## Greece highlights marine plastic pollution

ATHENS: Greece is highlighting marine plastic pollution as it marks World Environment Day, which falls on June 5, and World Oceans Day on June 8, with the Shipping Ministry launching a project to clean up eight Greek ports.

In cooperation with Enaleia, a local social start-up that helps recycle and up-cycle marine plastic waste since 2016, the ministry also plans to turn retrieved waste into useful products like benches and recycling bins that will be placed across these ports.

The aim of the project, which is under the global Clean Seas Campaign of the United Nations, is to raise awareness and motivate more people to take action against marine plastic pollution. Lefteris Arapakis, co-founder of Enaleia, told Xinhua on Saturday during a cleanup at Rafina port, some 30 km east of Athens, as divers were retrieving car tires, plastics and face masks from the waters.

Arapakis, one of the UN Environment Program's (UNEP) seven Young Champions of the Earth for 2020, and his team have been collaborating with over 700 fishermen in Greece, Italy, Spain, Turkey and Egypt under the Mediterranean Cleanup project in recent years, collecting tons of waste on a daily basis that end up in recycling factories. — APP

## 2 drones shot down above Iraq base

AGENCIES

BAGHDAD: The Iraqi army has said that two drones were destroyed above a base housing United States troops, one month after the same base was targeted by an armed drone. The US military's C-RAM defence system was activated to shoot down the drones above the Ain al-Asad airbase, located in Iraq's western desert, the Iraqi military said on Sunday.

Several hours earlier a rocket was shot down above Baghdad airport, "without causing casualties or damage," said Colonel Wayne Marotto, spokesman for the US-led military coalition in Iraq.

The coalition was sent to Iraq to help the country's military fight the ISIL (ISIS) group — a campaign that Baghdad declared won in late 2017.

The US military had withdrawn its troops from Iraq in December 2011 under former President Barack Obama, almost nine years after the US-led military invasion toppled longtime Iraqi President Saddam Hussein.

There was no immediate claim of responsibility for Sunday's attack. The US consistently blames Iran-linked Iraqi factions for rocket attacks against Iraqi installations housing its personnel.

On May 8, an attack by an unmanned aerial surveillance system targeted the Ain al-Asad base, but it caused no injuries.

Since the start of this year, there have been 39 attacks against US interests in Iraq. The vast majority have been bombs against logistics convoys, while 14 were rocket attacks, some of them claimed by pro-Iran factions, who aim to pressure Washington into withdrawing all their troops.

## Dushanbe, Tashkent vow to boost trade cooperation

The course of elaboration of bilateral documents and intergovernmental agreements, which are planned to be signed during the upcoming visit at the highest level, was discussed. The parties expressed their mutual readiness to mobilize all resources

DNA

TASHKENT: On 5 June, in Dushanbe, a meeting was held between Deputy Prime Minister - Minister of Investments and Foreign Trade of the Republic of Uzbekistan Sardor Umurzakov and Minister of Foreign Affairs of the Republic of Tajikistan Sirojiddin Mukhriddin. The current state and prospects of deepening

political, trade and economic, investment, cultural and humanitarian cooperation were considered. The course of elaboration of bilateral documents and intergovernmental agreements, which are planned to be signed during the upcoming visit at the highest level, was discussed. The parties expressed their mutual readiness to mobilize all resources to expedite the coordination of existing issues and reach

agreements on all items on the agenda of the event. It was announced that the general priority in bilateral relations is to build up trade and economic partnership and expand industrial cooperation. In this regard, the priority tasks for the interaction of the relevant ministries and departments of the two countries were discussed, as well as measures to establish direct ties between representatives of the Uzbek and Tajik busi-

ness communities. Further steps were outlined to fill the agenda of the visit at the highest level with practical content, bearing in mind firm agreements on the implementation of mutually beneficial joint projects and trade contracts. An agreement was reached to continue active cooperation in the cultural and humanitarian sphere. So, in particular, the organization of mutual trips of workers of culture, art,

science, as well as representatives of young people of the two fears to the regions of Uzbekistan and Tajikistan was agreed. Prospects for resuming bus service between major cities of the two states, such as Tashkent, Samarkand, Termez, Dushanbe, Khujand, Penjikent and others, were considered. An agreement was reached on joint work to promote the Silk Road tourism brand and imple-

ment projects to develop Ziyarat tourism. The parties also agreed to develop cooperation within the framework of international and regional organizations, such as the United Nations Organization, the Shanghai Cooperation Organization and other international platforms. Following the meeting, the parties outlined further actions in the framework of the discussed areas of cooperation.

## Standing Committee visits FPCCI Capital Office Islamabad

SAIFULLAH

ISLAMABAD: A delegation of Chairmen of Senate Standing Committees visited FPCCI Capital Office Islamabad to meet the office bearers of FPCCI and the representatives of Chambers of Commerce and trade associations of Sindh, Punjab, KPK provinces, Federal Area and Gilgit Baltistan to hold pre-budget discussion on the budget proposals of FPCCI. The meeting was attended by a large number of members of FPCCI and representatives from trade bodies prominently Khwaja Shahzeb Akram Senior Vice President, Qurban Ali Chairman Capital Office, Mian Anjum Nisar, former President FPCCI, Coordinator Mirza Abdul Rehman and Muhammad Ali Mian while the Senator Talha Mehmood who is also Chairman of Senate Standing Committee on Finance, Revenue and Economic Affairs along with other Senator Abdul Qadir Khan, Senator Kamil Ali Agha and Former Federal Minister Shiekh Waqas Akram and other attended meeting and shared their views.

On this occasion, Mian Anjum Nisar, former President FPCCI gave a detailed briefing to the participants regarding the budget proposals sent to the government by FPCCI.

Speaking on the occasion, the FPCCI Office bearers said that the business community is the real taxpayer. They said that the tax payers are treated with high respects all over the



world and they feel proud of being tax payers. But in Pakistan the situation is inverse and tax payers feels disappointment as they are facing high markup rates, high tariff of electricity/Gas and other high cost of doing business as compare to other regional countries. Moreover, every year in new budget, the existing tax payers are charged more taxes by the tax authorities instead of expanding the tax net.

Taxpayers are always targeted by the tax authorities reluctantly those people who are out of tax net always reluctant to come into the tax net.

They stressed on making reforms in tax system and FBR particularly with reference to the honor / status and relief

to the tax payers, making the business easier and providing best level playing field and free hand to the business community. If the government wants improvement in foreign exchange, employment opportunities and improvement in the economic situation of the country, the business community should be given free hand.

The business community demanded government's Special packages in all sectors as announced for Construction Sector. They further said that let them play their role in promoting Pakistan's economic development, trade and investment.

Speaking on the occasion, Senator Talha Mahmood, Chairman, Senate Standing Committee on Finance, said

that only the business community can fix the country's economic crunch but officially they are not treated in good manner and called with different tags in the society. There is trust deficit between business community and tax authorities.

The government cannot collect taxes forcefully from them and have to create friendly respectable atmosphere. He said that the rebates and refunds are the right and trust of business community in the hand of government, it should be returned immediately. Business community suggestions should be made an integral part of the budget because they are direct stakeholders.

Chairman Standing Commit-

tee on Petroleum Senator Abdul Qadir Khan, Chairman Standing Committee on Functional Committee Kamil Ali Agha said that they will resolve the problems of business community on priority basis. All the members of the Senate will work together with the FPCCI for the economic development of Pakistan.

They said that the government makes laws while the policies are made by people who are neither stakeholder nor have any business but are salaried people who completely ignore the problems of the business community. He said respect and status should be given to the taxpayer So that the other people who are out of tax net can motivated to join the tax net.

## India reports lowest daily Covid cases in 2 months

NEW DELHI: India reported the lowest daily Covid cases in two months at 1,14,460 on Sunday with 2,677 deaths in the last 24 hours till 8:00 am, according to the Health Ministry data. This is also the tenth consecutive day when the country reported less than 2 lakh cases. Cumulatively, the Covid cases stood at 2,88,09,339 of which active cases were 14,77,799, those who recovered stood at 2,69,84,781, and the death toll was 3,46,759.

It is to be noted that daily recoveries continue to outnumber daily new cases for the 24th straight day, and 1,89,232 recoveries have been registered in the last 24 hours till 8:00 am. Thus, the overall recovery rate of 93.67 per cent is showing an increasing trend.

Meanwhile, 20,36,311 tests were conducted in the last 24 hours, and cumulatively India has conducted over 36.4 crore at 36,47,46,522 tests so far. In addition, the weekly positivity rate is currently at 6.54 per cent, while the daily positivity rate stands at 5.62 per cent on Sunday. Thus, it has remained less than 10 per cent for 13 consecutive days now.

Also, India administered a total of 23,13,22,417 vaccines, with 33,53,539 shots given in the last 24 hours till 8:00 am, as per the data. In Phase 3 of the vaccination drive, which began on May 1 for the 18-44 age group, a total of 2,77,39,545 beneficiaries have been given their first dose, and 1,61,253 beneficiaries received their second dose. — APP

## UNGA session against corruption ends

UNITED NATIONS: The first-ever United Nations General Assembly (UNGA) special session against corruption has concluded after having adopted a sweeping Political Declaration with blueprints to help countries tackle bribery, money-laundering, abuse of power and a raft of related crimes. The landmark Political Declaration, titled "Our common commitment to effectively addressing challenges and implementing measures to prevent and combat corruption and strengthen international cooperation", was passed unanimously.

The three-day special session, which began on Wednesday and ended on Friday Night, brought together heads of Government and State, ministers, high-ranking diplomats, as well as representatives of observer entities and civil society. Pakistan was represented by Justice (r) Javed Iqbal, head of the National Accountability Bureau (NAB). Pakistan's Ambassador to the UN, Munir Akram, also addressed the session in his capacity as the President of the UN Economic and Social Council (ECOSOC). — APP

## Final vote test in Germany

BERLIN: Germans in the eastern state of Saxony-Anhalt are heading to the polls on Sunday, with the far-right posing a tough challenge to Angela Merkel's conservatives in the final major test before the first general election in 16 years not to feature the veteran chancellor. Saxony-Anhalt is one of Germany's smallest states with a population of just 2.2 million, but with Merkel's Christian Democratic Union running neck-and-neck with the far-right AfD there, the stakes could not be higher for the regional vote. Victory for the AfD would be a devastating blow for the conservatives and seriously weaken the already fragile standing of the CDU's new leader Armin Laschet in the run-up to Germany's national election on September 26.

"If it turns out that the AfD is slightly stronger than the CDU on Sunday, then there could be debates about personnel in the CDU, and thus a weakening of the entire situation of the CDU," political scientist Hajo Funke of Berlin's Free University told media.

Merkel's party has been a dominant force in the eastern region for decades, topping all but one edition of state elections there since reunification in 1990.

But the far-right AfD established a strong foothold there in the last state election in 2016, having capitalised on anger over Merkel's decision to allow in a wave of migrants from conflict-torn countries such as Syria in 2015.

In that election, the CDU scooped 30 percent, forming a coalition with the Social Democrats (SPD) and Greens. The AfD won 24 percent. Latest polls published Friday by Bild daily has the CDU at 27 percent, one point ahead of the AfD. — APP

## 13 wedding guests drown after boat capsizes

KANO, NIGERIA: Thirteen people died in northwest Nigeria's Sokoto state when a boat ferrying wedding guests capsized, officials said, a week after 150 people went missing in another boat accident.

The boat was conveying 18 people returning from a wedding in Shagari district when it overturned on Friday. "Thirteen people travelling from Dorowa to Ginga village died in the boat mishap," Sokoto state government spokesman Muhammad Bello said.

The passengers were all members of the same family heading home after attending the wedding ceremony, local lawmaker Maidawa Kajiji said. "It was a small boat loaded with 18 passengers but only five survived and were rescued," Kajiji said. Overcrowding, weather and lack of maintenance contribute to frequent river boat tragedies on Nigerian waterways. Scores of traders drowned when their overloaded boat split and sank on the Niger River in neighbouring Kebbi state last week. — APP

## 'Houthi missile attack' kills 17

WEB DESK

MARIB: At least 17 people, including a five-year-old girl, have been killed after a ballistic missile targeted the Yemeni city of Marib in an attack the government blamed on the Houthi rebels.

The missile hit a petrol station in the Rawdha neighbourhood, said Ali al-Ghulisi, the provincial governor's press secretary. Information Minister Moammar al-Eryani said the attack wounded at least five others and all casualties were civilians. He called on the UN and the US to condemn the attack, saying it amounted to a war crime. There was no immediate comment from the Houthis. Yemen has been embroiled in a civil war since 2014, when the Iran-backed Houthis swept across much of the north and seized the capital, Sanaa, forcing the internationally recognised government into exile.

The Saudi-led coalition entered the war the following year on the side of the government. The war has killed more than 130,000 people and spawned the world's worst humanitarian crisis. The government-run SABA news agency reported that the Houthis also launched an explosive-laden drone shortly after the missile attack.

It said the drone destroyed two ambulances that had rushed to the area. Since February, the Houthi rebels have been attempting to capture Marib to try to complete their control over the northern part of Yemen. Saturday's attack came just a day after the US special envoy for Yemen, Tim Lenderking, accused the Houthis of failing to try to reach an urgently needed ceasefire.

## S Korea trounce Turkmenistan but Lebanon keep pace

The Lebanese had taken first place by beating Sri Lanka 3-2 in the first part of a double-header in Goyang, South Korea. Victory in the second match allowed the hosts to retake top spot with a far superior goal difference

DOHA: Hwang Ui-jo scored a brace as South Korea thumped Turkmenistan 5-0 on Saturday to regain first place in Group H in the second phase of Asian World Cup qualifying.

It was South Korea's third win in four matches, the only blip being a goalless draw against Lebanon in November 2019 before Covid-19 played havoc with the competition.

The Lebanese had taken first place by beating Sri Lanka 3-2 in the first part of a double-header in Goyang, South Korea.

Victory in the second match allowed the hosts to retake top spot with a far superior goal difference.

The Turkmen spent the game chasing shadows as they crashed to their third defeat in five group matches to stay third, four points behind the top two.

Paulo Bento's South Korea took the lead when Hwang headed home from a long cross from Hong Chul in the 10th minute. The floodgates didn't open immediately, as Turkmenistan kept South Korea at bay for more than 35 minutes with goalkeeper Rasul Charyyev playing a key role.

In first-half stoppage time, however, Charyyev could only parry an effort from Kwon Chang-hoon into the path of the Qatar-based Nam Tae-hee who tapped

in. When Kim Young-gwon found the net in the 57th minute from a corner by Son Heung-min which was headed down by Jung Woo-young, the outcome was more or less sealed.

Kwon Chang-hoon increased the tally in the 63rd minute and Hwang added his second in the 73rd to complete an impressive display for the Taeguk Warriors.

Earlier, Lebanon bounced back from a goal down to beat spirited Sri Lanka with Joan Oumari finding the net twice.

Berlin-born Waseem Razeek gave Sri Lanka a shock lead in the 10th minute after taking advantage

of a defence-splitting pass by Kavindu Ishan and finishing past Lebanon goalkeeper Mehdi Khalil.

Sri Lankan joy lasted barely a minute. Oumari found the equaliser immediately after the restart as he headed in an excellent free-kick taken by Mohamed Haider.

Mohamed Kdouh then put Lebanon ahead in the 17th minute, rising above the defence to head home another great cross from the right by Hussain Zein.

The Cedars took a two-goal lead into the break after Oumari struck from six yards in the 44th minute when the Sri Lanka defence failed to clear a corner. — APP

## CPEC helps to increase transmission network voltage

DNA

BEIJING: Increase transmission network voltage may reduce electric losses in Pakistan, says Chinese expert.

China-Pakistan Economic Corridor, a flagship project of the Belt and Road Initiative, has solved the electricity shortage problem in Pakistan and will further promote the country's industrialization to create more jobs, Pakistani President Arif Alvi noted during a recent online reception held to celebrate the Sino-Pak 70th anniversary.

Explaining China's new energy construction experience, Lei Yu, an expert at the Chinese Academy of Environmental Planning

pointed out that "At the government level, China has formulated the Renewable Energy Law, which has laid a sound legal foundation for the development of renewable energy.

To ensure the scale of power generation and ensure a better return for the investment in this area, China's State Grid gives priority to receiving electricity from these renewable energy sources," Lei said.

In terms of price, China has set a preferential benchmark price for renewable energy such as wind power and hydropower. In addition, subsidies have been given to high-cost construction, such as offshore wind power, to boost returns on investment, Lei told the reporter.



In addition to government purchases, China also encourages the participation of nongovernmental capital. In the process of the construction of renewable energy transmission channels, part of its network is open to society so that such investment can enter,

develop, and yield good returns. According to some studies, Pakistan has a high rate of electric transmission and distribution losses. Touching on this, Lei introduced that China's power grid organization has its own characteristics, it is very

integrated. On this basis, when the load is reduced, we try to make less power transmission on the line.

When the load comes up, we will increase the current transmission, such flexible regulation helps reduce electrical loss.

Moreover, increasing the voltage of the entire transmission network, reducing the level of transformation and innovating material of core components such as wires and transformers can reduce electric losses.

In 2020, Chinese President Xi Jinping made the official announcement that China will strive to peak carbon dioxide emissions before 2030 and achieve carbon neutrality before 2060. While Pakistani Prime Minister Imran Khan promised

that Pakistan would produce 60% of its electricity from renewable sources by 2030.

Lei told the reporter that in order to reduce energy consumption and improve efficiency, the Ministry of Ecology and Environment, the Development and Reform Commission, the Ministry of Transport and other functional departments need to work together. Governments at all levels need to cooperate and actively mobilize the participation of the whole society.

New industries will eventually replace the old ones, and social costs will also be transformed into the driving force of new industries, which will push the entire society forward, Lei concluded.



**Briefs**

**Nigeria suspends Twitter**

**NEWS DESK**

ABUJA: Telecom operators in Nigeria on Saturday said they had complied with the government's instructions to suspend Twitter indefinitely after it deleted President Muhammadu Burahi's tweet for violating the social media platform's rules two days earlier.

International human rights groups and diplomats have condemned the move, which followed previous attempts by the government of Africa's most populous country to regulate social media. "The Federal Government has suspended, indefinitely, the operations of the microblogging and social networking service, Twitter, in Nigeria," ministry of information and culture spokesman Segun Adeyemi said in a statement Friday.

**Markets to remain open till 8pm in Sindh**

**DNA**

KARACHI: Markets and bazaars across Sindh will remain open till 8pm, the provincial government announced Sunday.

This important decision was taken at a meeting of the Coronavirus Task Force chaired by Sindh Chief Minister Syed Murad Ali Shah. Addressing the meeting, the chief minister said that outdoor dining would be allowed till 12 midnight, but there should be a distance between people.

He, however, made it clear that it is mandatory for the staff working in the markets and shops to get themselves vaccinated. "There will be a checking of the vaccination certificates after 15 days so get them ready," he added. He announced that after 2 weeks, wedding halls, outdoor weddings will be allowed. Besides, it has been decided to open beaches and salons for the citizens under SOPs. The meeting was attended by provincial ministers, chief secretary, IG Sindh and representatives of Rangers. It was informed in the briefing that on June 1, Karachi had 12.45% cases but yesterday it was recorded at 8.5%.

**Houthi drone intercepted**

**FOREIGN DESK**

RIYADH: The Arab coalition intercepted and destroyed late on Saturday a Houthi drone targeting Khamis Mushait south of Saudi Arabia, state TV Al-Ekhbariya reported. We will take all necessary precautions to protect civilians as the Houthis continue to target them, the coalition added. Last month, coalition air defenses intercepted an explosives-laden drone launched by Yemen's Houthi militia toward Saudi Arabia late on Saturday, the alliance command center said.

In a statement carried by state TV Al-Ekhbariya, the coalition said the weaponized UAV was aimed at the southern Saudi city of Khamis Mushait along the border with Yemen.

**Fire breaks out at Iranian steel plant**

DUBAI: A fire broke out at a steel plant in southeastern Iran, but an official said the blaze was brought under control and there was no report of casualties, the semi-official news agency Fars said on Sunday. Ali Sadegzadeh, the local governor in the town of Zarand, said fire fighters and emergency crew remained at the site of the Zarand Iranian Steel Co. after the blaze was brought under control and that no casualties were reported, Fars said. — DNA

**UK-PAKISTAN BUSINESS COUNCIL HOLDS GRAND AWARDS DISTRIBUTION CEREMONY**



Atif Ikram gets his award



Chairman Pakistan Red Crescent Society Abrarul Haq gets award



DC Islamabad Hamza Shafiq getting award

**STAFF REPORT**

ISLAMABAD: Chairman Senate of Pakistan Sadiq Sanjrani has said that the generous policies of the Government of Pakistan along with infrastructure development have provided business opportunities to industrialists and traders, especially export opportunities and especially the development of industry and handicrafts in Pakistan which has strengthened the national economy. The role of the Prime Minister of Pakistan Imran Khan is of key importance. He said this while addressing the UK Pakistan Business Awards ceremony in Islamabad, which was organized by the UK Pakistan Business Council in collaboration with various organizations. There is a huge potential for bilateral trade between the UK and the UK-Pakistan Business Council is proud to take full advantage of it. He said that not only the performers would be encouraged but also the performance of the recipients would be significantly improved. He said that such events would further help in the development of industry and trade. Provincial minister for industries Mian Aslam Iqbal said that after the intensification



Khurshid Barlas presenting souvenir to Chairman Senate



Ambassador of EU Adnroullah Kaminara and Ambassador of Indonesia Adam Tugio attending the ceremony



CEO Capital Smart City gets award



Faisal Javed, Zahid Latif Khan and Ansar M Bhatti at the ceremony



President RCCI Nasir Miraz gets his award

of the third wave of Corona, business activities are increasing and on this occasion Pakistan Business Council has organized an award ceremony to provide an excellent opportunity for industrial and commercial enterprises to show

case their services. On the occasion, Khurshid Barlas, President, UK Pakistan Business Council Pakistan Chapter and Ata-ul-Haq, Central Secretary General, thanked the participants and vowed to continue to play their role in boosting

the country's exports and economic growth. During the function, DC Islamabad Hamza Shafiq, President Islamabad Chamber of Commerce and Industries Sardar Yasir Khan, President Rawalpindi Chamber of Commerce

and Industry Nasir Mirza, Abrarul-Haq, Capital Smart City, Lahore Smart City, Park View City, Fair deal Marketing, B4U, SR Group of Companies, Rowlatt, Saif Rehman Niazi, Graana Group, Pakistan International Airlines, Fais-

alabad Industrial Estate Management Company, Chen One, Lahore Fashion, Royal Business Solutions Real Estate, Q Marketing, Tanveer Associates, Roots Schools and Colleges, Raja Mujahid, Beau Moon T Estate, Property Times Private Limited, Land Pakistan Group of Companies, Hassan Nader, Aurangzeb Khan, One Dollar Two Dollar, Syeda Misbah Kazmi, Vegas.

*(Detailed coverage in the coming issue of CENTRELINE magazine)*

**Palestine an issue of the entire Muslim world: Iranian envoy**

Says Imam Khomeini's view on Islamic Unity need of hour

**STAFF REPORT**

ISLAMABAD: Syed Muhammad Ali Hussaini Ambassador of the Islamic Republic of Iran to Pakistan has said Imam Khomeini's emphasis on unity of Muslims arose from his religious beliefs, the Qur'an and the Sunnah of Prophet Mohammad (PBUH) adding that Muslims today can undermine common challenges through unity. Mohammad Ali Hosseini made the remarks at a conference to mark 32nd anniversary of the demise of the great founder of Islamic Revolution entitled "Imam Khomeini and the unity of Islamic Ummah" organized by Iranian Cultural Consulate at Khana-e-Farhang in Rawalpindi. Mr. Ehsan Khazaei, Cultural Counselor of the Iranian Embassy, a number of Pakistani political, religious and cultural figures, Sunni and Shiite scholars, university professors, civil activists and members of the media attended the event. The Iranian ambassador in his remarks said Imam Khomeini believed that unity and rapprochement between Islamic sects is possible and an inevitable necessity. He did not look at the issue of unity and rapprochement as a temporary tactic.



He added Imam Khomeini emphasis on unity of Muslims arose from his religious beliefs, the Qur'an and the Sunnah of Holy Prophet Mohammad (PBUH). Hosseini stated Imam Khomeini did not pursue unity and rapprochement only intellectually and theoretically, but invited scholars from other Muslim countries to achieve this objective practically. He added the issue of Palestine was one of the prominent

symbols of Imam Khomeini's practical action towards unity. The envoy went on to say the issue of Palestine was a matter for the Islamic world, and the late Imam raised it at the beginning of his uprising, calling on all Muslims to support the Palestinian people and to acquit the terrorist regime of Israel and to strive for the liberation of the entire holy land of Palestine. The Iranian ambassador added the declaration of Quds Day by Imam Khomeini was a practical action arising from his belief in unity and rapprochement between Islamic religions. Imam Khomeini's annual messages on the occasion of Hajj were based on the same belief. He said after the death of Imam Khomeini his approach was continued by Supreme Leader Ayatollah Khomeini through unity diplomacy. The Iranian ambassador to Pakistan added unity diplomacy's main axes is religious commonalities between Shiites and Sunnis. The Iranian ambassador to Pakistan added the Islamophobia that Muslims are now facing, the burning of the Holy Quran, the disrespect to the Holy Prophet (PBUH) are all common threats that all Muslims have a common duty to confront.

**China, ASEAN dialogue brings results**

**DNA**

KUALA LUMPUR: The relations between China and ASEAN have grown from strength to strength since the two sides established dialogue relations 30 years ago, bringing about tangible results in all-round cooperation and recent joint efforts against the COVID-19 pandemic, said a former Malaysian ambassador to China. "For the last 30 years, ASEAN-China relation has been a model for regional cooperation," said Abdul Majid Ahmad Khan, Malaysia's ambassador to China from 1998 to 2005. When China and the Association of Southeast Asian Nations (ASEAN) established dialogue relations 30 years ago, the two sides had to explore ways of cooperation and build mutual trust in each other, recalled Majid, who was involved in the process as a seasoned diplomat. "After 30 years, the mutual trust and confidence have gone up, which can be seen from the tangible effects from the cooperation between Association of Southeast Asian Nations and China," he told Xinhua on Sunday.

**EU continues to help Pakistan to improve governance: envoy**



ISLAMABAD: EU Ambassador to Pakistan Adnroullah Kaminara has said the European Union continued to support Pakistan in its efforts to strengthen good governance in the country. To materialize the concept of good governance, the EU would fund a parliamentary project for capacity building of Pakistan's legislators, she added. Talking to APP, she said the EU would allocate Euro 9 million, which would be used to strengthen the functioning of public service offices in terms of building up capacity regarding the parliamentary core mandates of legislation, oversight, budget and representation. The three-year project, to be implemented by the Deutsche Gesellschaft für Internationale Zusammenarbeit (GIZ) in collaboration with the Pakistan Institute for Parliamentary

Services (PIPS), would work with the National Assembly, the Senate and the four provincial assemblies of Punjab, Khyber Pakhtunkhwa, Sindh and Balochistan, she added. Adnroullah Kaminara said, "The EU has been a steadfast supporter of democratic progress in Pakistan for many years and with today's signature we enter the most ambitious phase of our support yet, focusing, for the first time, assemblies at the national and provincial levels at the same time. Good governance is the backbone of human and democratic development and plays a crucial role in poverty alleviation." The envoy said the new project would respond to the priorities of the EU-Pakistan Strategic Engagement Plan 2019, specifically to the joint priority "Democracy, Rule of Law, Good Governance and Human Rights" and was financed under the EU's development cooperation priorities from 2014-2020. Both strategic roadmaps supported the implementation of the Vision 2025 and helped achieve the Strategic Development Goals (SDGs) set by the United Nations in its Agenda 2030, she added. — APP

**President Joe Biden says US will stand with European allies**

WASHINGTON: The United States will stand with its European allies against Russia, President Joe Biden has promised ahead of the first face-to-face meeting with Vladimir Putin of his administration. Biden will head to Europe Wednesday, and is set to attend both the G-7 and NATO summits as well as holding a high-stakes meeting with the Russian leader in Geneva on June 16. The summit comes amid the biggest crisis in ties between the two countries in years, with tensions high over a litany of issues including hacking allegations, human rights and claims of election meddling. In an op-ed for the Washington Post published Saturday, the US president promised to shore up Wash-

**US wants to hold back Russia**

MOSCOW: Russian President Vladimir Putin has said he wants to improve Moscow's ties with Washington when he holds his first summit with US counterpart Joe Biden later this month, but he set a tough tone ahead of the meeting and said the US wants to "hold back" Russia's development. The face-to-face meeting scheduled to take place in Geneva on June 16 comes amid deeply strained relations between the United States and Russia. — DNA

ington's "democratic alliances" in the face of multiple crises and mounting threats from Moscow and Beijing. "We are standing united to address Russia's challenges to European security, starting with its aggression in Ukraine, and there will be no doubt about the resolve of the United States to defend our democratic values, which we cannot separate from our interests," he wrote. "President Putin knows that I will not hesitate to respond to future harmful activities," he said. "When we meet, I will again underscore the commitment of the United States, Europe and like-minded democracies to stand up for human rights and dignity." — APP

Since taking office in January, Biden has ramped up pressure on the Kremlin, and his comments likening Putin to a "killer" were met with fierce criticism in Moscow. But both leaders have expressed hopes that relations can improve, with the Russian president saying Friday he expected a "positive" result from the talks. Biden in his weekend op-ed also stressed that Washington "does not seek conflict" — pointing to his recent extension of the New START arms reduction treaty as proof of his desire to reduce tensions. "We want a stable and predictable relationship where we can work with Russia on issues like strategic stability and arms control," he wrote. — APP

**Syrians accuse Qatar of funding terrorists**

Over-priced construction contracts, property purchases and payments helped moved the money, according to the allegations

**NEWS DESK**

LONDON: Nine Syrians are accusing several Qatari figures and institutes of funding terrorist fighters in Syria in a case filed at a UK court, according to the Times of London. In a claim issued this week from the High Court in London, the Syrian individuals are claiming damages for financial losses, torture, arbitrary detention and threats of execution endured as

part of a scheme or at the hands of Nusra Front, which is an Al-Qaeda affiliate. The files at the case allege that some top Qatari politicians, businessmen, charities and civil servants used one of the emir's private offices and two banks to funnel hundreds of millions of dollars to the Nusra Front. The Times said that according to the court papers, which they have seen, the Qatar state along with the Muslim Brotherhood group

have come up with a plan to "actively support and facilitate" Nusra Front extremists during the Syrian civil war. Over-priced construction contracts, property purchases and payments helped moved the money, according to the allegations. Qatar National Bank and Doha Bank are accused of facilitating the transactions, according to the report. All the accused have strongly and categorically denied the allegations.